

Quality
Integrity
Reliability
Since 1969



Mediflex®

SURGICAL PRODUCTS



Bookler® and Mini-Bookler® Table Mounted Retractor Systems

RET-BK0713

MEDIFLEX®
THE SURGICAL INNOVATION COMPANY™

For over 40 years, Mediflex has been designing and manufacturing uniquely engineered surgical devices used in Operating Rooms throughout the world. Working in close collaboration with famous surgical leaders such as John Bookwalter, MD, Herbert Dardik, MD, Mel Greenberg, MD and others, Mediflex has built an arsenal of surgical devices offering ease-of-use and state-of-the-art performance.



This catalog, Bookler and Mini-Bookler Table Mounted Retractor Systems, features the largest array of Bookwalter-styled retractor systems and components available anywhere. And we guarantee that all components of the Mediflex Bookler Product Line will work seamlessly with Bookwalter Branded Systems as stated in the certificate we provide (shown right.)



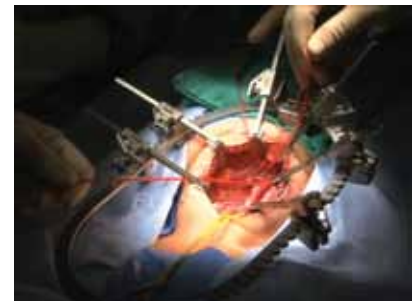
and Segmented Ring technologies, have continued for over four decades. Most recently, we have combined the advantages of our

Mediflex's unique innovations starting with its Surgical Flex Arm, Horizontal Flexbar and Positioning Devices with our Bookler Retractor Rings through the introduction of our new StrongArm PLUS support system shown in use (above left). This system allows faster set-up time, easier adjustments and the reduction of vertical obstructions due to its ability to be lowered out of the way from the surgeon.



Other introductions to our line include a quick Cam-Lock Post Coupler, a new ergonomic Horizontal Bar with stronger clasping jaw, the Mediflex Blade Bending and Shaping Tool, an expansion of our line of Eagle Split Ring Frames, and our patent pending Elevator Adjustable Height Field Post shown in use (above left).

Beginning in 2008, Mediflex took the lead in recognizing that surgeons who perform small incision and neonatal surgery were in need of a table mounted retractor system providing the same benefits that Dr. Bookwalter's system offered abdominal surgeons. By engineering down-sized Mini-Bookler components and combining the system with our Mediflex StrongArm Holder and Positioner, we have created another unique retractor system offering unparalleled surgical exposure for smaller incisions. This is exemplified by our new Mediflex Dardik Mini-Bookler Vascular System seen here in use for Carotid Endarterectomy.



For additional information, please contact your Mediflex Distributor or visit us at www.mediflex.com.



Mediflex Headquarters
 Islandia, New York, USA



**MEDIFLEX IS CERTIFIED TO STANDARDS:
 ISO 13485:2003 AND ISO 9001:2008**



	PAGE(S)
Bookler® Table Mounted Retractor Systems and Components.....	2-18
General Surgery Systems	
Original General Surgery System	2
Bookler Basic General Surgery Systems	3
Bookler StrongArm™ PLUS Systems.....	4
Specialty Systems	
Adolescent Surgery System	5
Bariatric Surgery Systems	5
Urology Surgery System.....	6
Perineal Surgery System.....	6
Urology Accessory Set.....	6
Vaginal Surgery Systems.....	7
Posterior Spinal Surgery System	8
Anterior Spine Accessory System.....	8
Internal Mammary Artery System.....	8
Components	
Table Mounted Hardware.....	9
Horizontal Bars	10
Post Couplers	10
Ratchets and Related Mechanisms.....	10
Vertical Extension Bar and Set.....	10
Rings.....	11
EAGLE Split Ring Frame	12
Urology Specialty Blades	6
Vaginal Specialty Blades.....	7
Retractor Blades	13-18
Bookler Flex-Light Fiber Optic Products.....	18
Mini-Bookler® Table Mounted Retractor Systems and Components.....	19-27
Specialty Systems	
Pediatric Surgery Systems	20
Perineal Surgery System	20
Head And Neck System.....	21
Small Incision Surgery System.....	21
Inguinal/Femoral Hernia Surgery System.....	21
System for Breast Surgery and Axillary Node Dissection	22
Dardik Mini-Bookler Carotid Endarterectomy System.....	23
General Surgery System	
Starter System	22
Accessory Set	
DB Urology Accessory Set	22
Components	
StrongArm™ Holders and Positioners	24
Table Mounting Hardware	24
Ratchets and Related Mechanisms.....	24 and 27
Rings.....	25
Retractor Blades.....	25-27
Mini-Bookler Flex-Light Fiber Optic Products	27
Mediflex Sterilization Containers and Trays	
Container Systems	28
Container Components	28
Container Consumables	28
Wrapable Trays	28
Numeric Index	Inside Back Cover

THE ORIGINAL BOOKLER® GENERAL SURGERY SYSTEM



The Bookler Table Mounted Retractor Product Line is made up of well over 100 different items. To assist you with ordering exactly what is required, we offer an array of pre-configured sets. The sets can be a complete procedural system, a starter system that has everything except the blades or an Accessory Set which include products for a specific procedure. The Accessory Sets should be combined with an existing system for use.

This page features the most widely used of all the Bookler Systems...**The Bookler General Surgery System**. It was designed to provide multi-directional surgical site exposure in a wide variety of abdominal procedures. Easy to assemble, it features both a solid and a segmented ring, two types of horizontal

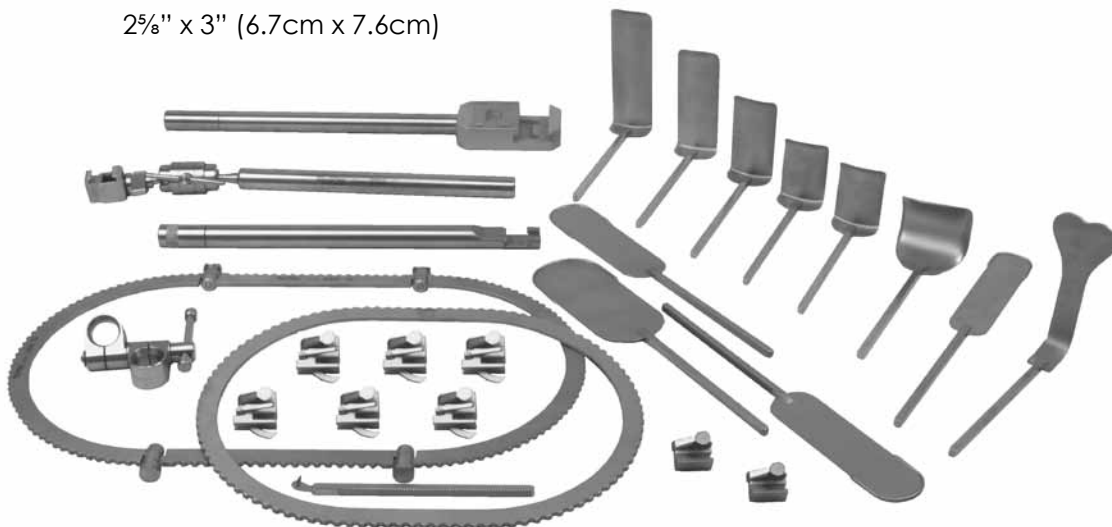
bars, tilting and non-tilting ratchets and a wide variety of General Surgery Retractor Blades, both rigid and malleable.

"Mediflex's dedication to product innovation, design and quality offers a continuously expanding choice of tools for today's most challenging surgical demands."

John R. Bookwalter, M.D., F.A.C.S.

▼ SYSTEM NO. 72000

Qty.	Ref. No.	Description/Size	Qty.	Ref. No.	Description/Size
1 ea	72011	Field Post, 12" (30cm)	2 ea	72016	Blade, Kelly 2" x 3" (5.1cm x 7.6cm)
1 ea	72012	Horizontal Bar	1 ea	72017	Blade, Kelly 2" x 4" (5.1cm x 10.2cm)
1 ea	72013	Post Coupling	1 ea	72021	Blade, Kelly 2" x 5" (5.1cm x 12.7cm)
1 ea	72028	Horizontal Flex Bar	1 ea	72022	Blade, Kelly 2" x 6" (5.1cm x 15.2cm)
2 ea	72025	Ratchet Mechanism	1 ea	72020	Blade, Malleable 3" x 6" (7.6cm x 15.2cm)
6 ea	72026	Tilt Ratchet Mechanism	2 ea	72015	Blade, Malleable 2" x 6" (5.1cm x 15.2cm)
1 ea	72036	Ring, Oval, Medium 10½" x 14½" (26.7cm x 36.8cm)	1 ea	72019	Blade, Malleable 1½" x 6" (3.8cm x 15.2cm)
1 ea	72027	Ring, Segmented, Medium 10½" x 19" (26.7cm x 48.3cm)	1 ea	72023	Blade, Harrington, 1" x 5½" x 2½" (2.5cm x 14.3cm x 6.4cm)
1 ea	72018	Blade, Balfour, 2⅝" x 3" (6.7cm x 7.6cm)	1 ea	72024	Blade, Gelpi



This page features a new configuration designed by Mediflex to meet needs expressed by our customers.

System No. 71900 is a Basic, pared down version of the traditional General Surgery System. It allows adequate retraction for most abdominal procedures in an extremely cost effective manner. Ideal for Hospitals looking to minimize costs, the system can have additional components added over time to allow its use in Bariatrics, Urology, GYN or other specialty procedures.

The Supplemental Blade Set at the bottom of the page includes our most popular retractor blades that are not included in the Basic System. It extends the range of exposure possibilities in abdominal procedures.

BOOKLER® BASIC GENERAL SURGERY SYSTEM

► SYSTEM NO. 71900

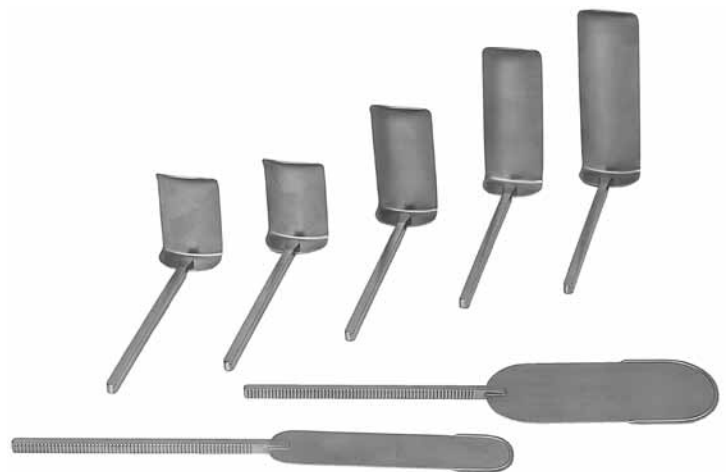
Qty.	Ref. No.	Description/Size
1 ea	72011	Field Post, 12" (30cm)
1 ea	72012	Horizontal Bar
1 ea	72013	Post Coupling
1 ea	72036	Ring, Oval, Medium, 10½" x 14½" (26.7cm x 36.8cm)
4 ea	72026	Tilt Ratchet Mechanism
1 ea	72018	Blade, Balfour, 2⅝" x 3" (6.7cm x 7.6cm)
1 ea	72023	Blade, Harrington 1" x 5⅝" x 2½" (2.5cm x 14.3cm x 6.4cm)
2 ea	72015	Blade, Malleable 2" x 6" (5.1cm x 15.2cm)
1 ea	72007	Bending Shaping Tool for Malleable Blades



BOOKLER® BASIC SUPPLEMENTAL BLADE SET

► SYSTEM NO. 71901

Qty.	Ref. No.	Description/Size
2 ea	72016	Blade, Kelly 2" x 3" (5.1cm x 7.6cm)
1 ea	72017	Blade, Kelly 2" x 4" (5.1cm x 10.2cm)
1 ea	72021	Blade, Kelly 2" x 5" (5.1cm x 12.7cm)
1 ea	72022	Blade, Kelly 2" x 6" (5.1cm x 15.2cm)
1 ea	72020	Blade, Malleable 3" x 6" (7.6cm x 15.2cm)
1 ea	72019	Blade, Malleable 1½" x 6" (3.8cm x 15.2cm)



The Systems shown on this page use a Mediflex StrongArm PLUS Surgical Holder and Positioner to attach to the O.R. Table and hold the ring. This gives unprecedented flexibility of movement while eliminating a post that often interferes with the first assist's arm movement.

System No. 72000-SA at the top of the page has the same ring and blade assortment as found in the Bookler General Surgery System No. 72000 found on page 2. The System No. 71900-SA at the bottom of the page allows you to add just the blades needed for a surgical specialty or a specific surgeon.

THE BOOKLER® STRONGARM PLUS™ GENERAL SURGERY SYSTEM

◀ SYSTEM NO. 72000-SA

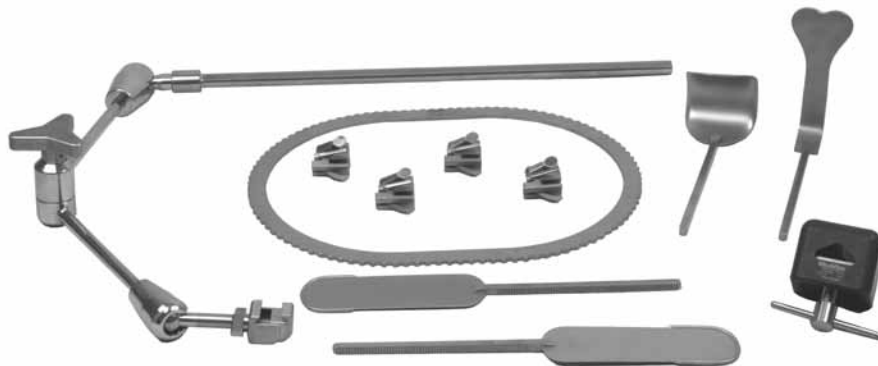


Qty.	Ref. No.	Description/Size
1 ea	73056-BC	Top Mount StrongArm PLUS Holder and Positioner with attached Bookler Clamping Device
1 ea	69099	Heavy Duty Rail Clamp
2 ea	72025	Ratchet Mechanism
6 ea	72026	Tilt Ratchet Mechanism
1 ea	72036	Ring, Oval, Medium 10½" x 14½"
1 ea	72027	Ring, Segmented, 10½" x 19"
1 ea	72018	Blade, Balfour, 2⅝" x 3"
2 ea	72016	Blade, Kelly 2" x 3"
1 ea	72017	Blade, Kelly 2" x 4"
1 ea	72021	Blade, Kelly 2" x 5"
1 ea	72022	Blade, Kelly 2" x 6"
1 ea	72023	Blade, Harrington, 1" x 5⅝" x 2½"
1 ea	72024	Blade, Gelpi
1 ea	72020	Blade, Malleable 3" x 6"
2 ea	72015	Blade, Malleable 2" x 6"
1 ea	72019	Blade, Malleable 1½" x 6"

THE BOOKLER® STRONGARM PLUS™ BASIC GENERAL SURGERY SYSTEM

▼ SYSTEM NO. 71900-SA

Qty.	Ref. No.	Description/Size	Qty.	Ref. No.	Description/Size
1 ea	73056-BC	Top Mount StrongArm PLUS Holder and Positioner with attached Bookler Clamping Device	1 ea	72036	Ring, Oval, Medium 10½" x 14½"
			1 ea	69099	Heavy Duty Rail Clamp
			4 ea	72026	Tilt Ratchet Mechanism
			1 ea	72018	Blade, Balfour, 2⅝" x 3"
			1 ea	72023	Blade, Harrington, 1" x 5⅝" x 2½"
			2 ea	72015	Blade, Malleable 2" x 6"

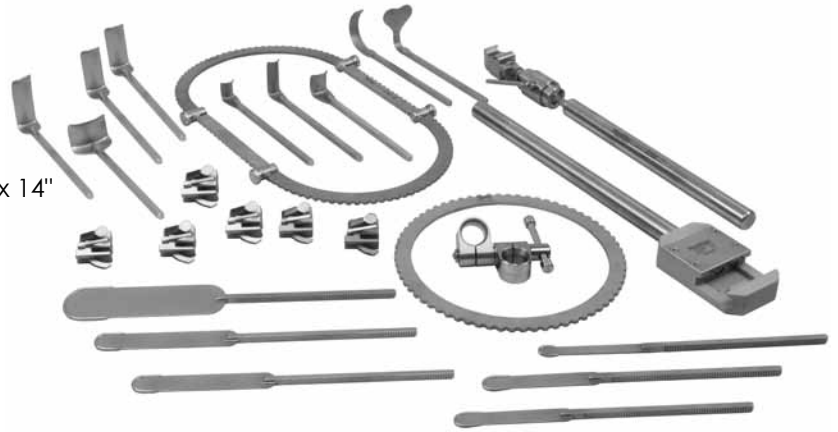


See Page 3 for Supplemental Blade Set and Pages 9 through 18 for additional Blades, Rings and other Components.

ADOLESCENT SURGERY SYSTEM

► SYSTEM NO. 72132

Qty.	Ref. No.	Description/Size
1 ea	72011	Field Post 12"
1 ea	72013	Post Coupler
1 ea	72028	Horizontal Flex Bar
6 ea	72026	Tilt Ratchet Mechanism
1 ea	72030-85	Round Ring, Ø8½"
1 ea	72027-85	Segmented Oval Ring, 8½" x 14"
1 ea	72033	Blade, Richardson, ¾" x 1"
1 ea	72034	Blade, Richardson, 1" x 1¼"
1 ea	72047	Blade, Richardson, ¾" x 2"
1 ea	72044	Blade, Kelly, 1" x 2½"
1 ea	72049	Blade, Kelly, 2" x 1½"
2 ea	72107	Blade, Kelly, 1" x 3"
1 ea	72015	Blade, Malleable, 2" x 6"
2 ea	72048	Blade, Malleable, ¾" x 4"
2 ea	72111	Blade, Malleable, 1" x 5"
1 ea	72110	Blade, Malleable, ½" x 4"
1 ea	72109	Blade, Harrington, ½" x 2½" x 2"
1 ea	72126	Blade, Deaver, ¾" x 2¼"

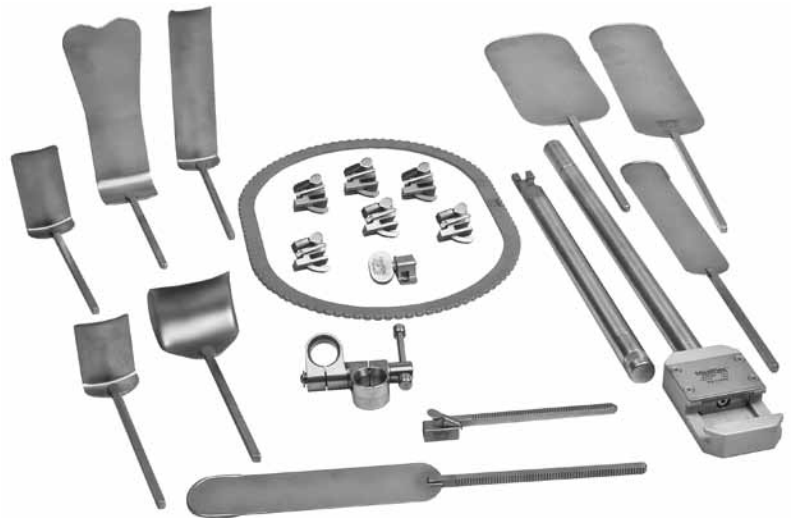


BARIATRIC SURGERY SYSTEMS

ORIGINAL BARIATRIC SYSTEM WITH 18" (45cm) Field Post

► SYSTEM NO. 72129

Qty.	Ref. No.	Description/Size
1 ea	72009	Field Post 18"
1 ea	72012	Horizontal Bar
1 ea	72013	Post Coupler
6 ea	72026	Tilt Ratchet Mechanism
1 ea	72114	Ratchet Extender
1 ea	72113	Twist Ratchet
1 ea	72036	Ring, Oval Medium
1 ea	72016	Blade, Kelly, 2" x 3"
1 ea	72017	Blade, Kelly, 2" x 4"
1 ea	72059	Blade, Kelly, 2" x 8"
1 ea	72038	Blade, Balfour, 3½" x 2¾"
1 ea	72064	Blade, Malleable, 3" x 10"
1 ea	72066	Blade, Malleable, 2" x 8"
1 ea	72056	Blade, Malleable, 2" x 10"
1 ea	72112	Blade, Malleable, 4" x 8"
1 ea	72081	Blade, Harrington, 2½" x 8" x 3½"



ORIGINAL BARIATRIC SYSTEM WITH 24" (60cm) Field Post

■ SYSTEM NO. 72129-24

Qty.	Ref. No.	Description/Size
1 ea	72010	Field Post 24"

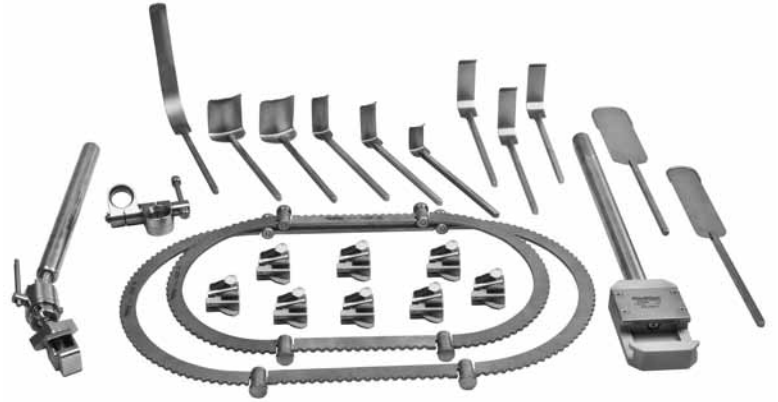
All other contents identical to the 72129 System

See component pages 9 - 18, for all metric equivalents

UROLOGY SURGERY SYSTEM

► SYSTEM NO. 72102

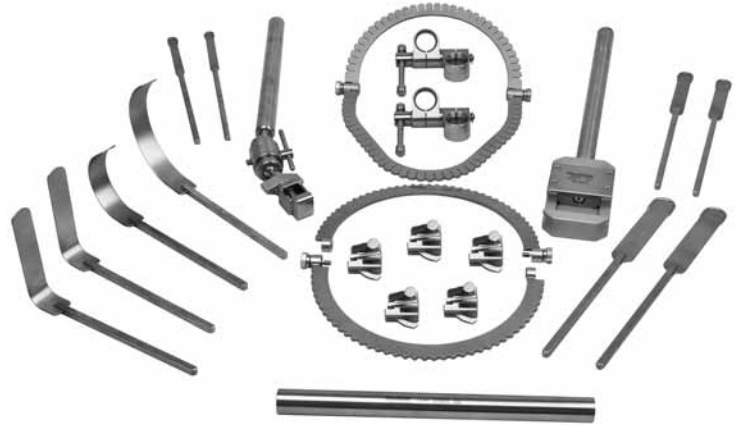
Qty.	Ref. No.	Description/Size
1 ea	72011	Field Post 12"
1 ea	72013	Post Coupler
1 ea	72028	Horizontal Flex Bar
8 ea	72026	Tilt Ratchet Mechanism
1 ea	72027	Ring, Segmented, 10½" x 19"
1 ea	72027-85	Ring, Segmented, 8½" x 14"
1 ea	72015	Blade, Malleable, 2" x 6"
1 ea	72019	Blade, Malleable, 1½" x 6"
2 ea	72044	Blade, Kelly, 1" x 2½"
1 ea	72045	Blade, Kelly, 1" x 1½"
2 ea	72075	Blade, Kelly, 2" x 2½"
3 ea	72031	Blade, Vaginal, Lateral, 1" x 3"
1 ea	72042	Blade, Renal, Wylie, 1" x 7"



PERINEAL SURGERY SYSTEM

► SYSTEM NO. 72102-P

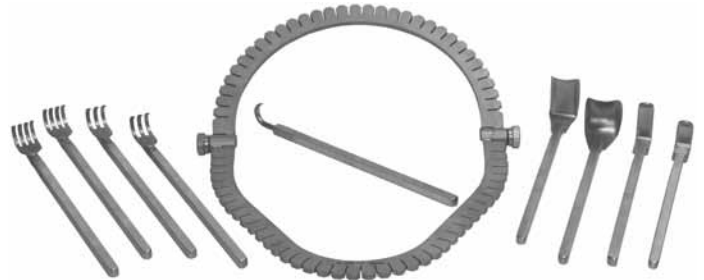
Qty.	Ref. No.	Description/Size
1 ea	72011	Field Post 12"
2 ea	72013	Post Coupler
1 ea	72028	Horizontal Flex Bar
1 ea	72014	Vertical Extension Bar, 12"
5 ea	72026	Tilt Ratchet Mechanism
1 pr	69260	Half Circle Segments, Ø8½"
1 ea	69029	Perineal Ring w/ Notches, 9½" x 14½"
2 ea	72032	Blade, Vaginal, Posterior, 1" x 4½"
1 ea	72046	Blade, Deaver, 1" x 5"
1 ea	72052	Blade, Deaver, 1" x 3½"
2 ea	72110	Blade, Malleable, ½" x 4"
2 ea	72048	Blade, Malleable, ¾" x 4"
2 ea	72111	Blade, Malleable, 1" x 5"



UROLOGY ACCESSORY SET

► SYSTEM NO. 72147

Qty.	Ref. No.	Description/Size
1 ea	69029	Perineal Ring w/ Notches 9½" x 14½"
1 ea	75289	Hook, Urology, Single Prong
2 ea	75290	Rake, 3-Prong w/ Rotation 5⁄8" x 7⁄8"
2 ea	75291	Rake, 4-Prong w/ Rotation 3⁄4" x 7⁄8"
1 ea	75292	Blade, Urology, Right Angle ½" x 1"
1 ea	75293	Blade, Urology, Right Angle ½" x 1½"
1 ea	75294	Blade, Richardson, 1" x 1½"
1 ea	75295	Blade, Goulet, 1¼" x 1¼"



UROLOGY SPECIALTY BLADES

CARROLL BLADE

► REF. NO. 72057

1½" - 3¼" x 7"
Malleable



Other Urology Specialty Blades are shown in the above systems and on page 18

YU-HOLTGREW BLADE

► REF. NO. 72160

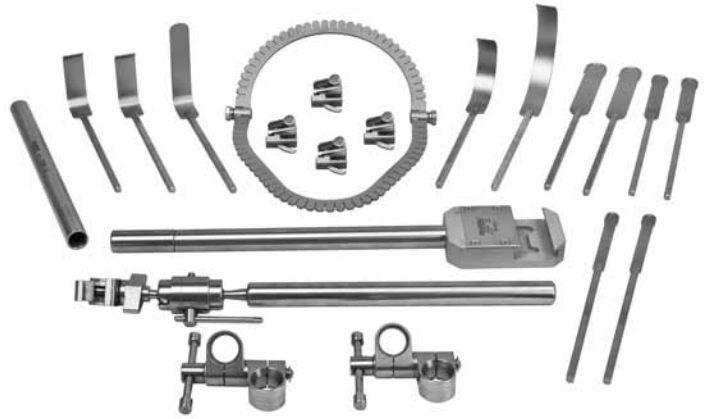
2" x 6⅛"
Slot: 5⁄8" x 1½"



DELUXE VAGINAL SURGERY SYSTEM

► SYSTEM NO. 72070-D

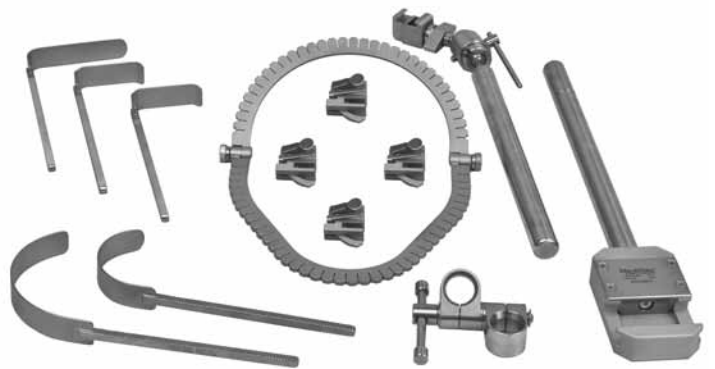
Qty.	Ref. No.	Description/Size
1 ea	72011	Field Post 12"
2 ea	72013	Post Coupler
1 ea	72028	Horizontal Flex Bar
1 ea	72014	Vertical Extension Bar, 12"
4 ea	72026	Tilt Ratchet Mechanism
1 ea	69029	Perineal Ring w/ Notches, 9½"x14½"
2 ea	72031	Blade, Vaginal, Lateral, 1" x 3"
1 ea	72032	Blade, Vaginal, Posterior, 1" x 4½"
1 ea	72046	Blade, Deaver, 1" x 5"
1 ea	72052	Blade, Deaver, 1" x 3½"
2 ea	72110	Blade, Malleable, ½" x 4"
2 ea	72048	Blade, Malleable, ¾" x 4"
2 ea	72111	Blade, Malleable, 1" x 5"



ORIGINAL VAGINAL SURGERY SYSTEM

► SYSTEM NO. 72070

Qty.	Ref. No.	Description/Size
1 ea	72011	Field Post 12"
1 ea	72013	Post Coupler
1 ea	72028	Horizontal Flex Bar
4 ea	72026	Tilt Ratchet Mechanism
1 ea	69029	Perineal Ring w/ Notches, 9½"x14½"
2 ea	72031	Blade, Vaginal, Lateral, 1" x 3"
1 ea	72032	Blade, Vaginal, Posterior, 1" x 4½"
1 ea	72046	Blade, Deaver, 1" x 5"
1 ea	72052	Blade, Deaver, 1" x 3½"



VAGINAL SURGERY SPECIALTY BLADES

▼ REF NO. 72031
Lateral
1" x 3"



▼ REF NO. 72032
Posterior
1" x 4½"



▼ REF NO. 72046
Deaver
1" x 5"



▼ REF NO. 72052
Deaver
1" x 3½"



▼ REF NO. 72110
Malleable
½" x 4"



▼ REF NO. 72048
Malleable
¾" x 4"



▼ REF NO. 72111
Malleable
1" x 5"

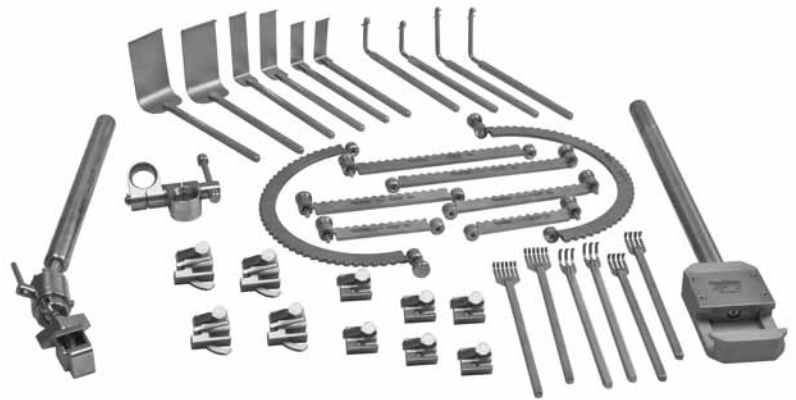


See component pages 9 - 18, for all metric equivalents

POSTERIOR SPINAL SYSTEM

► SYSTEM NO. 72135

Qty.	Ref. No.	Description/Size
1 ea	72011	Field Post 12"
1 ea	72013	Post Coupler
1 ea	72028	Horizontal Flex Bar
6 ea	72025	Ratchet Mechanisms
4 ea	72026	Tilt Ratchet Mechanism
1 pr	69260	Ring, Segments, Round, Ø8½"
1 pr	69261	Ring, Segments, Straight, 4"
1 pr	69266	Ring, Segments, Straight, 6"
1 pr	69195	Ring, Segments, Straight, 8"
2 ea	72115	Blade, Meyerding, ⅔" x 2⅓"
2 ea	72116	Blade, Meyerding, 1" x 3⅓"
2 ea	72117	Blade, Meyerding, 2" x 3¾"
2 ea	72127	Hook, Scoville, Small
2 ea	72128	Hook, Scoville, Large
2 ea	72118	3-Prong Rake, ⅔" Wide x ¾" Deep
2 ea	72119	4-Prong Rake, ¾" Wide x ⅓" Deep
2 ea	72120	6-Prong Rake, 1" Wide x ⅓" Deep



Mediflex offers retractor blades in radiolucent aluminum. For further information, please contact Mediflex or your Mediflex Distributor.

ANTERIOR SPINE ACCESSORY SET

This Accessory Set can be used in conjunction with a General Surgery System or a Bariatric Surgery System. The addition of these longer blades allows for gentle retraction of deep tissue.



◀ SYSTEM NO. 72137

Qty.	Ref. No.	Description
2 ea	72059	Blade, Kelly 2" x 8"
2 ea	72042	Blade, Wiley Vein 1" x 7"

INTERNAL MAMMARY ARTERY SYSTEM

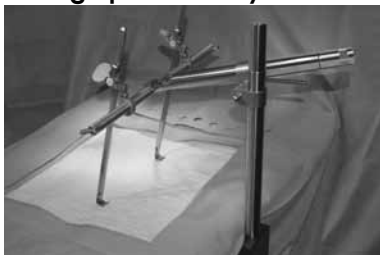
The Bookler IMA System is designed to allow gentle, controlled lifting of the chest wall while harvesting the Internal Mammary Artery. The IMA Ratcheting Mechanism features a micro twist ratchet that permits controlled lifting in increments less than 1mm. Each Blade is lifted independently for maximum control. It is easy to set up, simple to use and economical.



◀ SYSTEM NO. 72131

Qty.	Ref. No.	Description/Size
1 ea	72011	Field Post 12"
1 ea	72013	Post Coupler
1 ea	72012	Horizontal Bar
2 ea	72124	IMA Ratchet Mechanism
1 ea	72123	IMA Cross Bar 12"
2 ea	72125	Blade, IMA Retractor

Setting up the IMA System



Position the Field Post at the patient's axilla, opposite the surgeon who will dissect the IMA. Load the Horizontal Bar into the Coupler and onto the Field Post. The distal end of the Horizontal Bar should have the jaws pointing up and should be positioned about 8 - 10" (20 - 25cm) above the patient. The Jaws should be over the midway point between the sternum and the nipple.

Insert the Cross Bar (with scalloped edge facing towards the field post) into the Jaws of the Horizontal bar and tighten. Insert the Blades into the Ratchet Mechanism. Open the retaining clips on the ends of the Cross Bar and slide the Ratchet Mechanism onto the Cross Bar. Relock the retaining clip and repeat on the opposite end. The hooks of the retractor blade are placed under the sternum. Lift by turning the thumbscrews of the Ratchet Mechanism.

TABLE MOUNTING HARDWARE

Traditional Field Posts

◀ **REF. NO. 72010**

24" (60cm) Field Post

◀ **REF. NO. 72009**

18" (45cm) Field Post

◀ **REF. NO. 72011**

12" (30cm) Field Post



The Security Collar Option Shown above is available on any Traditional Field Post. Please contact your Mediflex Distributor or Mediflex Surgical Products for Special Order Requests.

eleator™ Adjustable Height Field Posts

U.S. Patent Pending

The Mediflex **eleator™** Adjustable Height Field Posts allow raising or lowering the height of the Post without switching to a different device. Each has several height settings that will lock securely in place once selected.

◀ **REF. NO. 72011-EL**

9" - 14" (23cm - 36cm) **eleator™** Field Post

◀ **REF. NO. 72009-EL**

12" - 18" (30cm - 45cm) **eleator™** Field Post

Bookler StrongArm PLUS™

◀ **REF. NO. 73055-BC**

Top-Mount StrongArm PLUS with Bookler Clasper and Heavy Duty Rail Clamp

■ **REF. NO. 73056-BC**

Top-Mount StrongArm PLUS with Bookler Clasper (without Heavy Duty Rail Clamp)

Rail Clamps, Adaptors and Extenders

◀ **REF. NO. 69099**

Heavy Duty Rail Clamp

◀ **REF. NO. 72225**

Rail Clamp Adaptor for Carbon Fiber Tables. Can be used with any Mediflex Table Clamp

◀ **REF. NO. 72224**

Rail Clamp Extender. Used to mount products 2 inches (5cm) further away from the patient.

COUPLERS



▲ REF. NO. 72013
Stainless Steel Post Coupler
1" to 1" (2.5cm to 2.5cm)



▲ REF. NO. 72013-C
Quick-Lock Stainless Steel
Post Coupler
1" to 1" (2.5cm to 2.5cm)

HORIZONTAL BARS



▲ REF. NO. 72012 Horizontal Bar 1" (2.5cm) Diameter



▲ REF. NO. 72028 Horizontal Flex Bar 1" (2.5cm) Diameter



▲ REF. NO. 73057-BC StrongArm PLUS Horizontal Bar

The Mediflex StrongArm PLUS Horizontal Bar attaches easily to any traditional Bookler Field Post using either of the 1" x 1" Couplers shown to the left

RATCHETS AND RELATED MECHANISMS



▲ REF. NO. 72025
Standard Ratchet



▲ REF. NO. 72026
Tilt Ratchet



▲ REF. NO. 72124
IMA Ratchet



▲ REF. NO. 69708
Bookler Ratchet Bar
Attachment (for use with Mediflex
FlexArm and StrongArm Systems)



▲ REF. NO. 72113
Twist Ratchet Adapter



▲ REF. NO. 72114
Ratchet Extender (Can make any
blade handle up to 5" [13cm] longer)

VERTICAL EXTENSION BAR



▲ REF. NO. 72014
Vertical Extension Bar 12" x 1" (30cm x 2.5cm)



▲ SYSTEM NO. 72193 Vertical Extension Bar Kit

Qty.	Ref. No.	Description
1 ea	72014	Vertical Extension Bar 12" (30cm)
1 ea	72013-C	Quick-Lock Post Coupler

RINGS SOLID RINGS



- ▲ REF. NO. 72035 **Small Oval Ring**
8" x 12" (20.3cm x 30.5cm)
- ▲ REF. NO. 72036 **Medium Oval Ring**
10½" x 14½" (26.7cm x 36.8cm)
- ▲ REF. NO. 72037 **Large Oval Ring**
12" x 18½" (30.5cm x 47cm)



- ▲ REF. NO. 72030-85 **Small Round Ring**
Ø 8½" (21.6cm)
- ▲ REF. NO. 72030-105 **Medium Round Ring**
Ø 10½" (26.7cm)
- ▲ REF. NO. 72030-125 **Large Round Ring**
Ø 12½" (31.8cm)

SEGMENTED RINGS



- ▲ REF. NO. 72027-85 **Small Oval 8½" x 14"**
(21.6cm x 35.6cm)
- REF. NO. 72027 **Medium Oval 10½"x19"**
(26.7cm x 48.3cm)
- REF. NO. 72027-125 **Large Oval 12½" x 19"**
(31.8cm x 48.3cm)

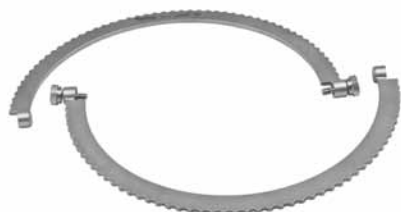


- ▲ REF. NO. 69031 **Segmented Elliptical Ring, 14" x 15"**
(35.6cm x 38.1cm)



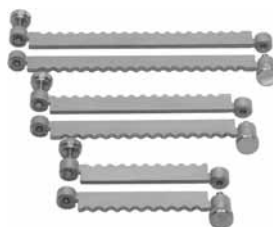
- ▲ REF. NO. 69029 **Segmented Perineal Ring, Notched**
9½" x 14½"
(24.1cm x 36.8cm)

SEGMENTED RING COMPONENTS



- REF. NO. 69260 **Small Half Circle**
Ø 8½" (21.6cm)
- ▲ REF. NO. 69196 **Medium Half Circle**
Ø 10½" (26.7cm)
- REF. NO. 69262 **Large Half Circle**
Ø 12½" (31.8cm)

(Above Items Sold as Pairs)



- ▲ REF. NO. 69195 **Lge. Straight Segment**
8" (20.3cm)
- ▲ REF. NO. 69266 **Med. Straight Segment**
6" (15.2cm)
- ▲ REF. NO. 69261 **Small Straight Segment**
4" (10.1cm)

(Above Items Sold as Pairs)



- ▲ REF. NO. 69192 **Replacement Screw for all Bookler Segmented Rings**

IMA CROSS BAR

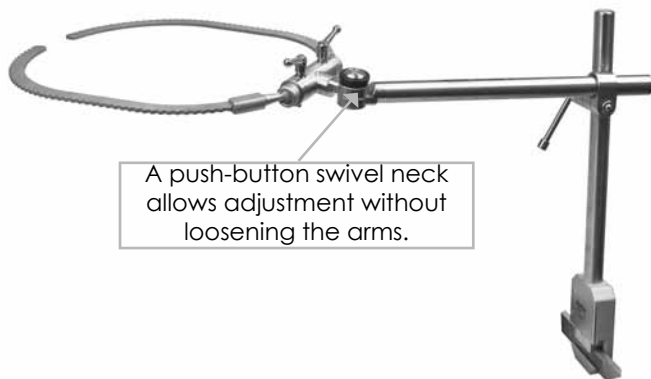


- ◀ REF. NO. 72123 **IMA Cross Bar** 12" (30.5cm)

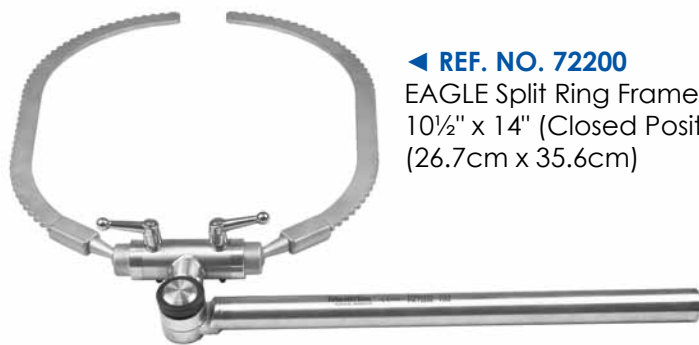
EAGLE SPLIT RING FRAMES

The EAGLE Split Ring Frames are designed for surgeons who prefer a "wishbone" type retractor frame. It combines the split ring design of the wishbone-styled frame with the flat, scalloped design of a Bookler-Styled Ring. This feature allows the use of all existing Bookler or Bookwalter branded Ratchets and Blades. In addition, there are dedicated locking mechanisms for each arm as well as the frame angle control. Having discrete mechanisms allows for fine adjustments without risking unintended movement of other components.

EAGLE Split Ring Frames are supplied with **either** an integrated Horizontal Bar for use with traditional Bookler Field Posts and Couplers (below left) **or** a clamping bar to use with a Mediflex StrongArm PLUS™ Surgical Holder and Positioner (below right.)



FRAMES WITH INTEGRAL HORIZONTAL BAR

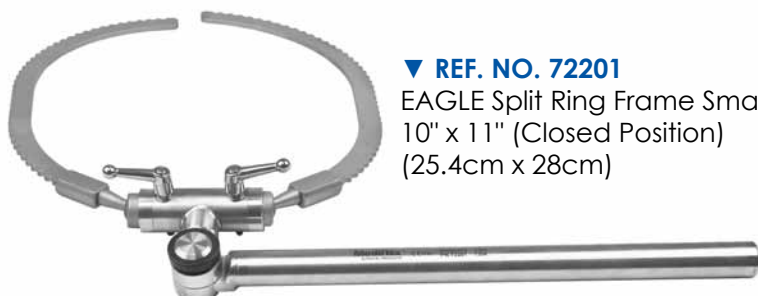


◀ **REF. NO. 72200**
EAGLE Split Ring Frame Large
10½" x 14" (Closed Position)
(26.7cm x 35.6cm)

FRAMES WITH CLAMPING BAR



▲ **REF. NO. 72200-SA**
EAGLE Split Ring Frame Large
10½" x 14" (Closed Position)
(26.7cm x 35.6cm)



▼ **REF. NO. 72201**
EAGLE Split Ring Frame Small
10" x 11" (Closed Position)
(25.4cm x 28cm)




▲ **REF. NO. 72201-SA**
EAGLE Split Ring Frame Small
10" x 11" (Closed Position)
(25.4cm x 28cm)


RETRACTOR BLADES

Note: All Blade dimensions show Width x Depth unless specified


MALLEABLE BLADES WITH PROTECTIVE EDGE




▲ REF. NO. 72110 ½" x 4" (1.3cm x 10.2cm)




▲ REF. NO. 72111 1" x 5" (2.5cm x 12.7cm)




▲ REF. NO. 72015 2" x 6" (5.1cm x 15.2cm)




▲ REF. NO. 72056 2" x 10" (5.1cm x 25.4cm)




▲ REF. NO. 72065 3" x 8" (7.6cm x 20.3cm)




▲ REF. NO. 72053 3" x 12" (7.6cm x 30.5cm)




▲ REF. NO. 72061 4" x 10" (10.2cm x 25.4cm)



▲ REF. NO. 72040 6" x 9" (15.2cm x 22.9cm)




▲ REF. NO. 72048 ¾" x 4" (1.9cm x 10.2cm)




▲ REF. NO. 72019 1½" x 6" (3.8cm x 15.2cm)




▲ REF. NO. 72066 2" x 8" (5.1cm x 20.3cm)




▲ REF. NO. 72020 3" x 6" (7.6cm x 15.2cm)




▲ REF. NO. 72064 3" x 10" (7.6cm x 25.4cm)



▲ REF. NO. 72112 4" x 8" (10.2cm x 20.3cm)



▲ REF. NO. 72054 4" x 12" (10.2cm x 30.5cm)



▲ REF. NO. 72041 6" x 12" (15.2cm x 30.5cm)

MALLEABLE BLADE BENDING AND SHAPING TOOL



◀ REF. NO. 72007

This Mediflex Exclusive is designed to assist in bending Malleable Blades. It slides onto any Bookler or Bookwalter 1" diameter Field Post as shown to the far left. Insert blade as shown in photos 2 and 3 and bend as needed.

RETRACTOR BLADES

KELLY BLADES Note: All Blade dimensions show Width x Depth unless specified



◀ **REF. NO. 72045**
1" x 1½"
(2.5cm x 3.8cm)



◀ **REF. NO. 72107**
1" x 3"
(2.5cm x 7.6cm)



◀ **REF. NO. 72108**
2" x 2"
(5.1cm x 5.1cm)



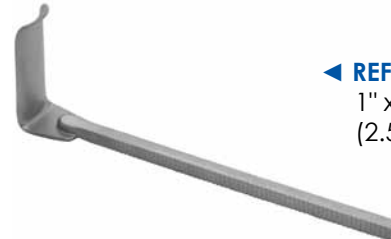
◀ **REF. NO. 72016**
2" x 3"
(5.1cm x 7.6cm)



◀ **REF. NO. 72021**
2" x 5"
(5.1cm x 12.7cm)



◀ **REF. NO. 72059**
2" x 8"
(5.1cm x 20.3cm)



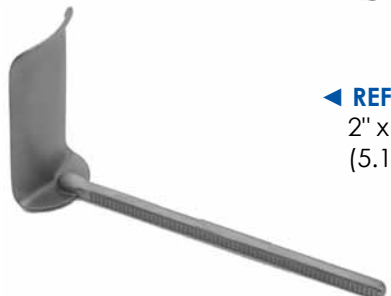
◀ **REF. NO. 72044**
1" x 2½"
(2.5cm x 6.4cm)



◀ **REF. NO. 72049**
2" x 1½"
(5.1cm x 3.8cm)



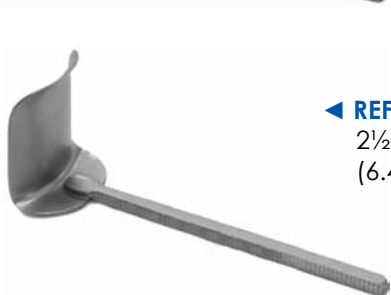
◀ **REF. NO. 72075**
2" x 2½"
(5.1cm x 6.4cm)



◀ **REF. NO. 72017**
2" x 4"
(5.1cm x 10.2cm)



◀ **REF. NO. 72022**
2" x 6"
(5.1cm x 15.2cm)



◀ **REF. NO. 72039**
2½" x 3"
(6.4cm x 7.6cm)

RETRACTOR BLADES

Note: All Blade dimensions show Width x Depth unless specified

HARRINGTON BLADES

ALSO KNOWN AS "SWEETHEARTS"

Harrington Blades are measured using three dimensions. The first is the width of the blade at the handle. The second is the overall depth of the blade and the third is width of the blade at its widest point near the distal end.



◀ **REF. NO. 72023**
1" x 5⁵/₈" x 2¹/₂"
(2.5cm x 14.3cm x 6.4cm)



▼ **REF. NO. 72080**
2¹/₂" x 5⁵/₈" x 3¹/₂"
(6.4cm x 14.3cm x 8.9cm)



▼ **REF. NO. 72081**
2¹/₂" x 8" x 3¹/₂"
(6.4cm x 20.3cm x 8.9cm)

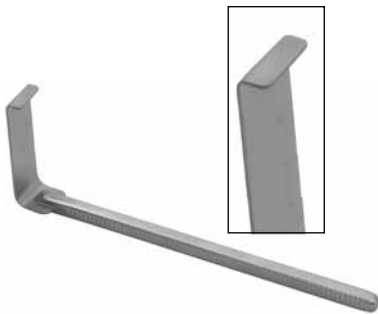


▼ **REF. NO. 72058**
3¹/₂" x 10" x 4¹/₂"
(8.9cm x 25.4cm x 11.3cm)

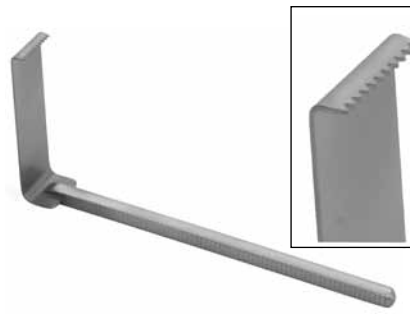


▼ **REF. NO. 72109**
1/2" x 2¹/₂" x 2"
(1.3cm x 6.4cm x 5.1cm)

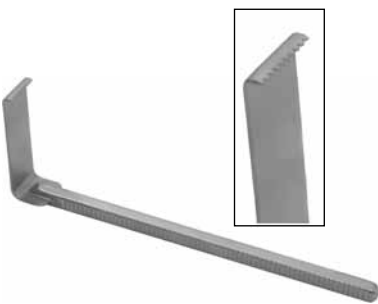
MEYERDING BLADES



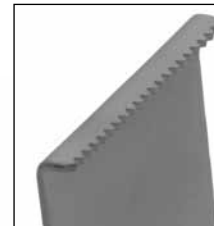
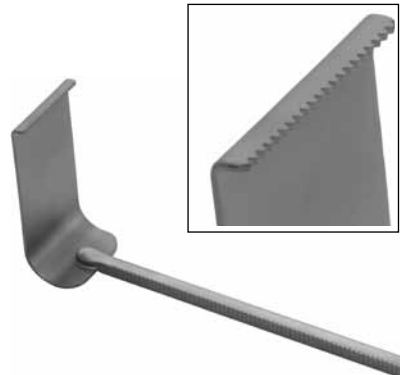
◀ **REF. NO. 72067**
3/8" x 2¹/₂"
(1.7cm x 5.9cm)
Without Teeth



◀ **REF. NO. 72116**
1" x 3¹/₄"
(2.5cm x 8.5cm)
With Teeth



◀ **REF. NO. 72115**
3/8" x 2¹/₂"
(1.7cm x 5.9cm)
With Teeth



◀ **REF. NO. 72117**
2" x 3³/₄"
(5.1cm x 9.5cm)
With Teeth

SCOVILLE HOOKS



▲ **REF. NO. 72127**
Small
2" (5.1cm) Deep



▲ **REF. NO. 72128**
Large
3" (7.6cm) Deep

RETRACTOR BLADES

Note: All Blade dimensions show Width x Depth unless specified



BALFOUR BLADES

Ref. No.	Size/Description
◀ 72018	3" x 2 ⁵ / ₈ " (7.6cm x 6.7cm)
▶ 72038	3 ¹ / ₂ " x 2 ³ / ₄ " (8.9cm x 7cm)



"BIG BOY" BLADES

Ref. No.	Size/Description
◀ 72062	2" x 6 ¹ / ₂ " (5.1cm x 16.5cm)
▶ 72063	3" x 6 ¹ / ₂ " (7.6cm x 16.5cm)



DEAVER BLADES

Ref. No.	Size/Description
◀ 72126	³ / ₈ " x 2 ¹ / ₄ " (1.7cm x 5.7cm)
◀ 72052	1" x 3 ¹ / ₂ " (2.5cm x 8.9cm)
▶ 72046	1" x 5" (2.5cm x 12.7cm)
▶ 72069	3" x 10" (7.6cm x 25.4cm)



FENCE BLADES

Ref. No.	Size/Description
◀ 72071	4" x 5" (10.2cm x 12.7cm)
▶ 72072	4" x 5" (10.2cm x 12.7cm) Each Malleable Finger is ³ / ₈ " x 5" (1cm x 12.7cm)



GELPI HOOK

▼ REF. NO. 72024



IMA HOOK

▼ REF. NO. 72125



**RETRACTOR BLADES
RAKES**

Note: All Blade dimensions show Width x Depth unless specified



▲ REF. NO. 72118
3-Prong
3/8" x 3/4"
(1.7cm x 1.9cm)



▲ REF. NO. 72119
4-Prong
3/4" x 1/8"
(1.9cm x .8cm)



▲ REF. NO. 72120
6-Prong
1" x 1/8"
(2.5cm x .8cm)

RICHARDSON BLADES



◀ REF. NO. 72033
3/4" x 1"
(1.9cm x 2.5cm)



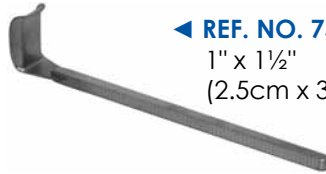
◀ REF. NO. 72047
3/4" x 2"
(1.9cm x 5.1cm)



▲ REF. NO. 72101
Richardson Blade Set
1 ea 72033
1 ea 72034
1 ea 72047

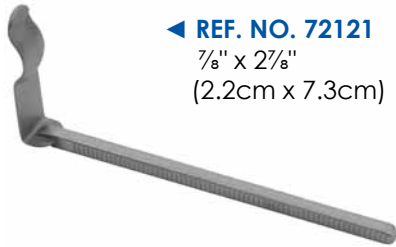


◀ REF. NO. 72034
1" x 1 1/4"
(2.5cm x 3.2cm)



◀ REF. NO. 75294
1" x 1 1/2"
(2.5cm x 3.8cm)

RECTAL BLADES



◀ REF. NO. 72121
7/8" x 2 7/8"
(2.2cm x 7.3cm)



◀ REF. NO. 72122
7/8" x 2 7/8"
(2.2cm x 7.3cm)



◀ REF. NO. 72042
1" x 7"
(2.5cm x 17.8cm)

VAGINAL BLADES



◀ REF. NO. 72031
1" x 3"
(2.5cm x 7.6cm)

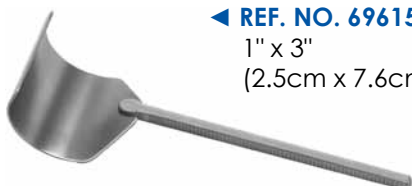


◀ REF. NO. 72032
1" x 4 1/2"
(2.5cm x 11.4cm)



◀ REF. NO. 72043
2 1/8" x 7"
(5.9cm x 17.8cm)

STERNAL BLADE



◀ REF. NO. 69615
1" x 3"
(2.5cm x 7.6cm)

CUSTOM BLADES

Mediflex can provide virtually most any retractor blade patterns for use with the Bookler or Bookwalker style Table Mounted Retractor Systems. Please contact your Mediflex Distributor for additional information, pricing and delivery.

RADIOLUCENT ALUMINUM BLADES ARE ALSO AVAILABLE AS CUSTOM BLADES

RETRACTOR BLADES FOR UROLOGY

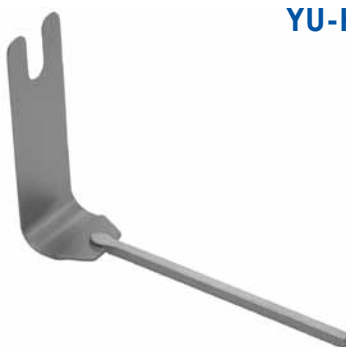
Note: All Blade dimensions show Width x Depth unless specified

CARROLL BLADE



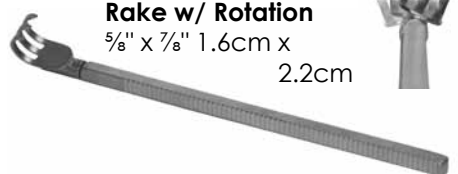
◀ REF. NO. 72057
Malleable
 1½" - 3¼" x 7"
 3.8cm - 8.3cm x 17.8cm

YU-HOLTGREW BLADE



◀ REF. NO. 72160
 2" x 6⅞"
 5.1cm x 15.6cm
 Slot: ⅝" x 1½"
 1.6cm x 3.8cm

▼ REF. NO. 75290
Three-Prong Urology Rake w/ Rotation
 ⅝" x ⅞" 1.6cm x 2.2cm



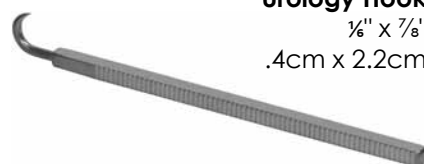
Ref. 75290 and 75291 rotate 25° in each direction.

▼ REF. NO. 75291
Four-Prong Urology Rake w/ Rotation
 ¾" x ⅞"
 1.9cm x 2.2cm

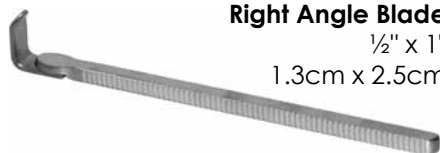


RAKES AND HOOKS

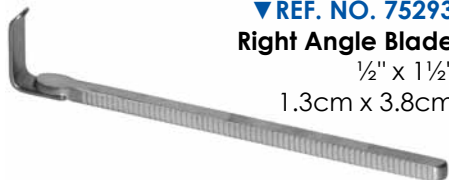
▼ REF. NO. 75289
Single Prong Urology Hook
 ⅝" x ⅞"
 .4cm x 2.2cm



▼ REF. NO. 75292
Right Angle Blade
 ½" x 1"
 1.3cm x 2.5cm

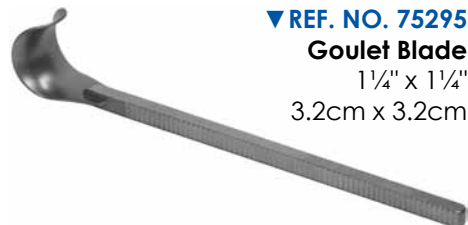


▼ REF. NO. 75293
Right Angle Blade
 ½" x 1½"
 1.3cm x 3.8cm



RIGHT ANGLE AND GOULET BLADES

▼ REF. NO. 75295
Goulet Blade
 1¼" x 1¼"
 3.2cm x 3.2cm



FLEX-LIGHT™ FIBEROPTIC LIGHT FOR TABLE MOUNTED RETRACTOR SYSTEMS

▶ REF. NO. 72076
Flex-Light Fiber Optic Kit
 Kit Contains the Frame Clip (72077) and the Light Pipe (72078)



▼ REF. NO. 72077
FLEX-LIGHT Frame Clip for Bookler® Systems



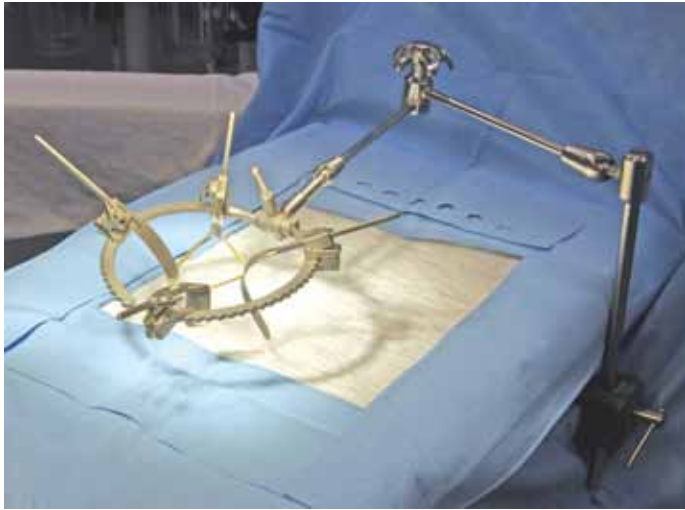
▼ REF. NO. 72078
FLEX-LIGHT Malleable Fiber Optic Light Pipe



Supplied with adaptors for Storz/Olympus, Wolf and ACMI styled Light Cords

THE MINI-BOOKLER® TABLE MOUNTED RETRACTOR SYSTEM

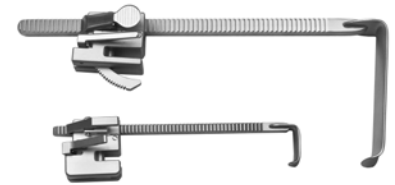
In 2008, Mediflex Surgical Products introduced the most significant design change in our Bookler Table Mounted Retractor Systems since we began working with Dr. John Bookwalter over 40 years ago. By recognizing the needs of surgeons performing surgeries and combining the



Along with "right-sizing" rings, ratchets and blades, the most significant change made was the elimination of the traditional Field Post and Horizontal Bars.

Instead, Mediflex "borrowed" a design from another of our Core Technologies and adapted a Height Adjustable StrongArm™ Surgical Holder and Positioner as the basis for The Mini-Bookler System. By having the ability to raise or lower the height of the "field post," we eliminate obstructions and allow every member of the surgical team to have unobstructed access to the surgical site.

The Mini-Bookler Product brings the same clinical advantages to Neonatal, Pediatric and Adult Small Incision surgery that the original Bookwalter Systems brought to abdominal Surgery over 40 years ago.



Original Bookler Tilt Ratchet and Blade
Mini-Bookler Tilt Ratchet and Blade

genius of Dr. Bookwalter's original designs with other Mediflex innovations, we are proud to offer The Mini-Bookler Table Mounted Retractor System for Small Incision, Neo-natal and Pediatric Surgery.

Perhaps the best assessment of the system was made by Dr. Bookwalter himself upon seeing the finished product. He exclaimed, "Wow! How cool is this!"

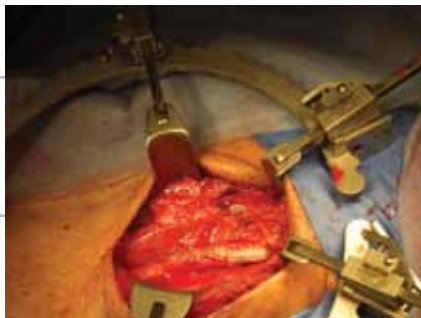


All Mini-Bookler retractor rings now feature special notches to accommodate use of elastic stay skin hooks and rakes as well as vessel loops.

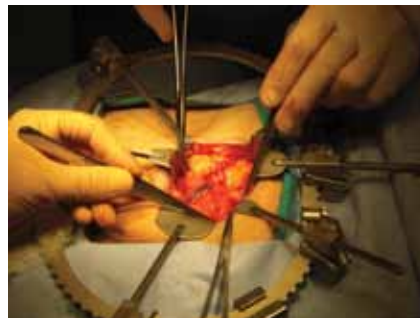
SUMMARY OF SOME OF THE CLINICAL ADVANTAGES OF THE MINI-BOOKLER® TABLE MOUNTED SYSTEMS

- Used in virtually the same way as a Bookwalter-Styled System
- Quick, easy set-up
- Fewer parts to set up than other table mounted systems
- Levers / locks are not needed to hold blades in place
- "Table post" is height adjustable
- Mini-Twist Ratchet allows precise retraction
- Affords greater control than a hand-held retractor
- Eliminates tremor and fatigue
- Can be used in non-surgical settings such as NICU

The Mini-Bookler Table Mounted Retractor being used in a Carotid Endarterectomy

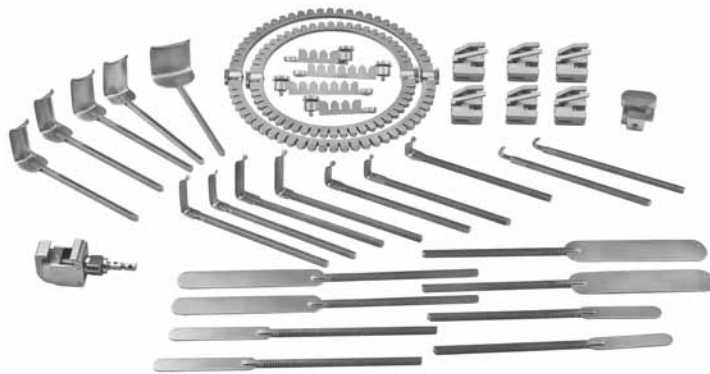


Inguinal Hernia using the Mini-Bookler Table Mounted Retractor for unparalleled surgical site exposure.



Above two photos courtesy of Herbert H. Dardik, M.D.

MINI-BOOKLER TABLE MOUNTED SYSTEMS FOR NEONATES AND INFANTS



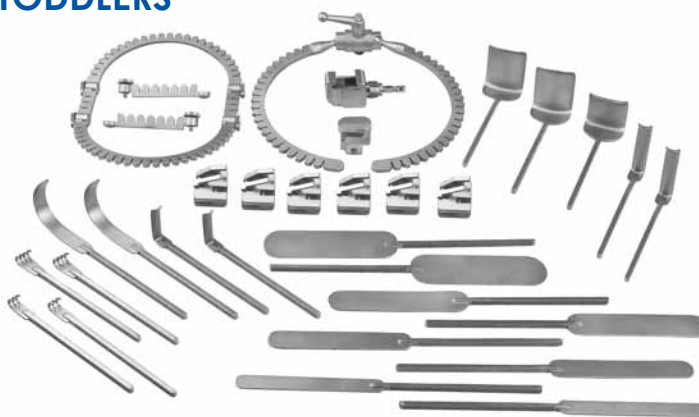
▲ SYSTEM NO. 72234

Qty. Ref. No. Description/Size

1 ea	72280	Mini-Clasper
1 pr	72282	Round Ring Segments Ø5"

Qty.	Ref. No.	Description/Size
1 pr	72284	Round Ring Segments Ø6½"
1 pr	72286	Straight Ring Segments 2½"
1 pr	72288	Straight Ring Segments 3½"
6 ea	72294	Mini- Tilt Ratchet Mechanism
1 ea	72290	Mini-Twist Ratchet
2 ea	72254	Blade, Kelly, ⅜" x ¼"
2 ea	72261	Blade, Kelly, ⅜" x 1¼"
1 ea	72267	Blade, Kelly, ½" x ½"
2 ea	72262	Blade, Kelly, ½" x 1½"
2 ea	72268	Blade, Kelly, ¾" x 1½"
2 ea	72269	Blade, Kelly, 1" x 1½"
1 ea	72270	Blade, Kelly, 1½" x 1½"
2 ea	72251	Blade, Malleable, ½" x 2"
2 ea	72259	Blade, Malleable, ½" x 2½"
2 ea	72272	Blade, Malleable, ¾" x 4"
2 ea	72274	Blade, Malleable, 1" x 4"
2 ea	72256	Double Hook, Blunt

MINI-BOOKLER TABLE MOUNTED SYSTEMS FOR TODDLERS



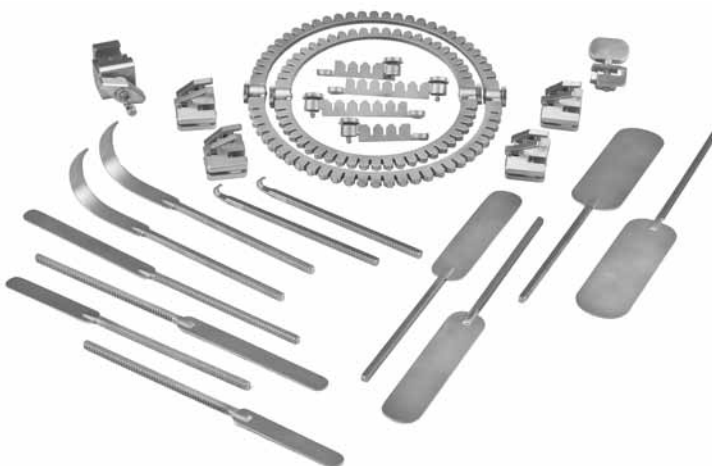
▲ SYSTEM NO. 72236

Qty. Ref. No. Description/Size

1 ea	72280	Mini-Clasper
------	-------	--------------

Qty.	Ref. No.	Description/Size
1 ea	72295	Adjustable Split Ring Ø7"
1 ea	72283	Segmented Oval Ring, 5" x 7½"
1 pr	72288	Straight Ring Segments 3½"
6 ea	72294	Mini- Tilt Ratchet Mechanism
1 ea	72290	Mini-Twist Ratchet
2 ea	72261	Blade, Kelly, ⅜" x 1¼"
2 ea	72263	Blade, Kelly, ½" x 2"
1 ea	72270	Blade, Kelly, 1½" x 1½"
2 ea	72271	Blade, Kelly, 1½" x 2"
2 ea	72273	Blade, Malleable, ½" x 4"
2 ea	72272	Blade, Malleable, ¾" x 4"
2 ea	72274	Blade, Malleable, 1" x 4"
2 ea	72275	Blade, Malleable, 1½" x 4"
2 ea	72252	Triple Hook, Blunt
2 ea	72257	Quad Hook , Blunt
2 ea	72276	Blade, Deaver, ½" x 2"

PERINEAL SURGERY SYSTEM



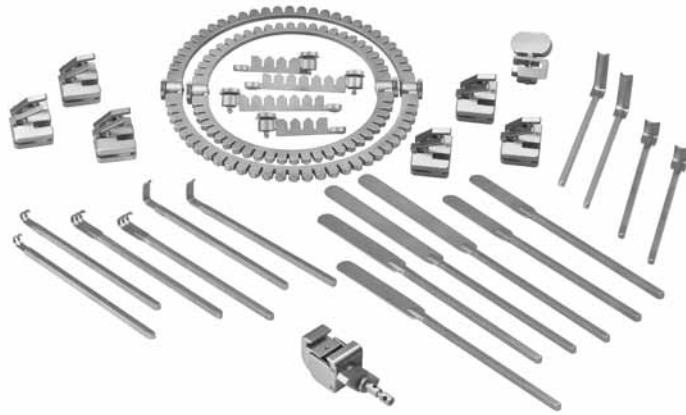
◀ SYSTEM NO. 72228

Qty. Ref. No. Description/Size

1 ea	72280	Mini-Clasper
1 pr	72282	Round Ring Segments Ø 5"
1 pr	72284	Round Ring Segments Ø 6½"
1 pr	72286	Straight Ring Segments 2½"
1 pr	72288	Straight Ring Segments 3½"
4 ea	72294	Mini- Tilt Ratchet Mechanism
1 ea	72290	Mini-Twist Ratchet
2 ea	72259	Blade, Malleable, ½" x 2½"
2 ea	72273	Blade, Malleable, ½" x 4"
2 ea	72274	Blade, Malleable, 1" x 4"
2 ea	72275	Blade, Malleable, 1½" x 4"
2 ea	72256-S	Double Hook, Sharp
2 ea	72276	Blade, Deaver, ½" x 2"

Note: All Systems Must be used with a Mediflex StrongArm Holder and Positioner (see page 24)

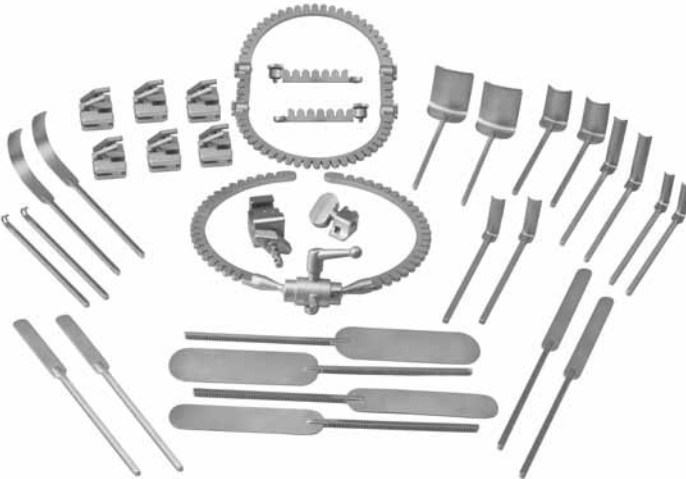
HEAD AND NECK SYSTEM



▲ SYSTEM NO. 72230

Qty.	Ref. No.	Description/Size
1 ea	72280	Mini-Clasper
1 pr	72282	Round Ring Segments Ø5"
1 pr	72284	Round Ring Segments Ø6½"
1 pr	72286	Straight Ring Segments 2½"
1 pr	72288	Straight Ring Segments 3½"
6 ea	72294	Mini-Tilt Ratchet Mechanism
1 ea	72290	Mini-Twist Ratchet
2 ea	72261	Blade, Kelly, ⅜" x 1¼"
2 ea	72267	Blade, Kelly, ½" x ½"
2 ea	72251	Blade, Malleable, ½" x 2"
2 ea	72259	Blade, Malleable, ½" x 2½"
2 ea	72273	Blade, Malleable, ½" x 4"
2 ea	72250	Blade, Senn-Miller, Solid
2 ea	72256	Double Hook, Blunt
2 ea	72252	Triple Hook, Blunt

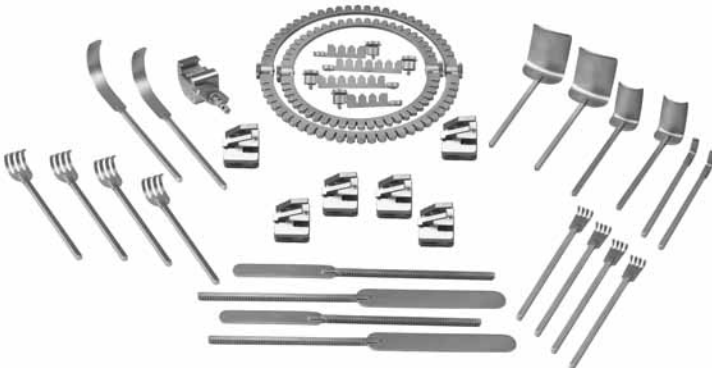
SMALL INCISION SURGERY SYSTEM



▲ SYSTEM NO. 72232

Qty.	Ref. No.	Description/Size
1 ea	72280	Mini-Clasper
1 ea	72295	Adjustable Split Ring Ø7"
1 ea	72283	Segmented Oval Ring, 5" x 7½"
1 pr	72288	Straight Ring Segments 3½"
6 ea	72294	Mini-Tilt Ratchet Mechanism
1 ea	72290	Mini-Twist Ratchet
2 ea	72261	Blade, Kelly, ⅜" x 1¼"
2 ea	72262	Blade, Kelly, ½" x ½"
2 ea	72263	Blade, Kelly, ½" x 2"
2 ea	72269	Blade, Kelly, 1" x 1½"
2 ea	72271	Blade, Kelly, 1½" x 2"
2 ea	72259	Blade, Malleable, ½" x 2½"
2 ea	72273	Blade, Malleable, ½" x 4"
2 ea	72274	Blade, Malleable, 1" x 4"
2 ea	72275	Blade, Malleable, 1½" x 4"
2 ea	72256	Double Hook, Blunt
2 ea	72276	Blade, Deaver, ½" x 2"

INGUINAL/FEMORAL HERNIA SYSTEM



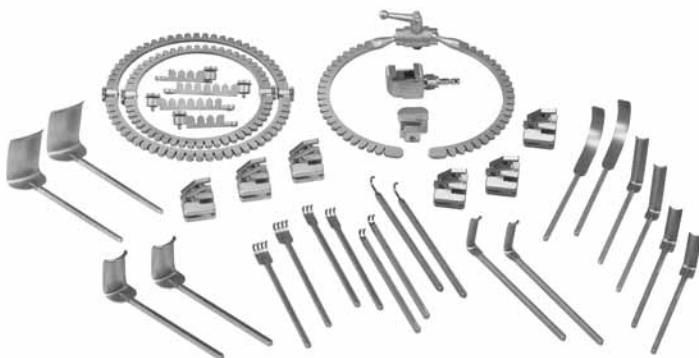
▲ SYSTEM NO. 72233

Qty.	Ref. No.	Description/Size
1 ea	72280	Mini-Clasper
1 pr	72282	Round Ring Segments Ø5"
1 pr	72284	Round Ring Segments Ø6½"
1 pr	72286	Straight Ring Segments 2½"
1 pr	72288	Straight Ring Segments 3½"
6 ea	72294	Mini-Tilt Ratchet Mechanism
2 ea	72271	Blade, Kelly, 1½" x 2"
2 ea	72269	Blade, Kelly, 1" x 1½"
2 ea	72276	Blade, Deaver, ½" x 2"
2 ea	72259	Blade, Malleable, ½" x 2½"
2 ea	72272	Blade, Malleable, ¾" x 4"
2 ea	72250	Blade, Senn-Miller, Solid
4 ea	72257	Quad Hook, Blunt Shallow
4 ea	72150	Quad Hook, Blunt Deep

Note: All Systems Must be used with a Mediflex StrongArm Holder and Positioner (see page 24)

BREAST SURGERY AND AUXILIARY NODE DISSECTION

This is the one set that the Breast Surgeon can use for node dissection, lumpectomies, radical mastectomies and even reconstructive procedures. The wide range of ring sizes and blades can be combined into an almost unlimited number of configurations.



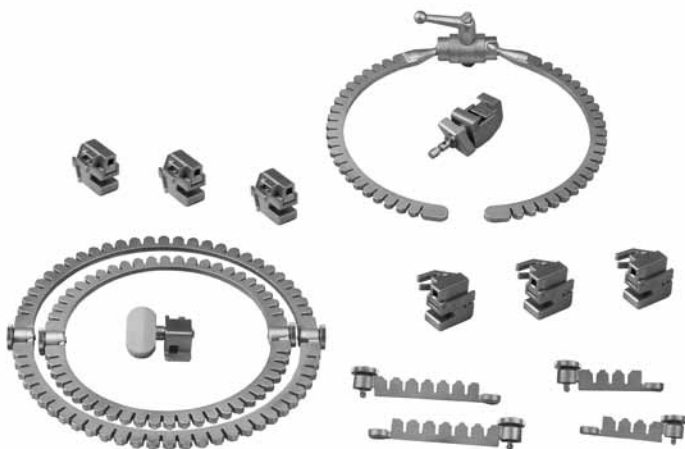
◀ SYSTEM NO. 72231

Qty.	Ref. No.	Description/Size
1 ea	72280	Mini-Clasper
1 ea	72295	Adjustable Split Ring Ø7"
1 pr	72282	Round Ring Segments Ø5"
1 pr	72284	Round Ring Segments Ø6½"
1 pr	72286	Straight Ring Segments 2½"
1 pr	72288	Straight Ring Segments 3½"
6 ea	72294	Mini- Tilt Ratchet Mechanism
1 ea	72290	Mini-Twist Ratchet
2 ea	72261	Blade, Kelly, ¾" x 1¼"
2 ea	72262	Blade, Kelly, ½" x 1½"
2 ea	72263	Blade, Kelly, ½" x 2"
2 ea	72269	Blade, Kelly, 1" x 1½"
2 ea	72271	Blade, Kelly, 1½" x 2"
2 ea	72276	Blade, Deaver, ½" x 2"
2 ea	72255-S	Single Hook, Sharp
2 ea	72256-S	Double Hook, Sharp
2 ea	72252-S	Triple Hook, Sharp
2 ea	72257-S	Quad Hook, Sharp

MINI-BOOKLER® STARTER SYSTEM

MINI-BOOKLER STARTER SYSTEM

The Mini-Bookler Starter System is designed to allow you to build a "custom" procedure set. Just add the StrongArm Holding Device and the retractor blades of your choosing to create a system for a specific specialty, procedure or surgeon.



◀ SYSTEM NO. 72238

Qty.	Ref. No.	Description/Size
1 ea	72280	Mini-Clasper
1 ea	72295	Adjustable Split Ring Ø7"
1 pr	72282	Round Ring Segments Ø5"
1 pr	72284	Round Ring Segments Ø6½"
1 pr	72286	Straight Ring Segments 2½"
1 pr	72288	Straight Ring Segments 3½"
6 ea	72294	Mini- Tilt Ratchet Mechanism
1 ea	72290	Mini-Twist Ratchet

MINI-BOOKLER® ACCESSORY SYSTEM

MINI-BOOKLER "DB" UROLOGY ACCESSORY SYSTEM

These blades are patterned on the Dennis-Brown Style Blades used by Pediatric Urologists. They can be used with any Pediatric System or the Mini-Bookler Starter System shown above.

◀ SYSTEM NO. 72227



Qty.	Ref. No.	Description/Size
2 ea	71181	Blade, DB Pattern, 1" x 1⅛"
2 ea	71180	Blade, DB Pattern, 1½" x 1½"

Note: All Systems Must be used with a Mediflex StrongArm Holder and Positioner (see page 24)

Mediflex teamed with one of the most honored Vascular Surgeons in the world, Herbert Dardik, MD, FACS, to create a state-of-the-art Table Mounded Retractor System for Vascular Surgery - particularly Carotid Endarterectomy. Traditionally, Vascular Surgeons would use either a Weitlaner Retractor for Lateral Exposure and hand-held retraction for cephalad exposure. While Weitlaners provide excellent lateral exposure, they cannot lift upwards. Hand-held retraction often results in tremor or relaxation, both of which can reduce the effectiveness of the retraction.

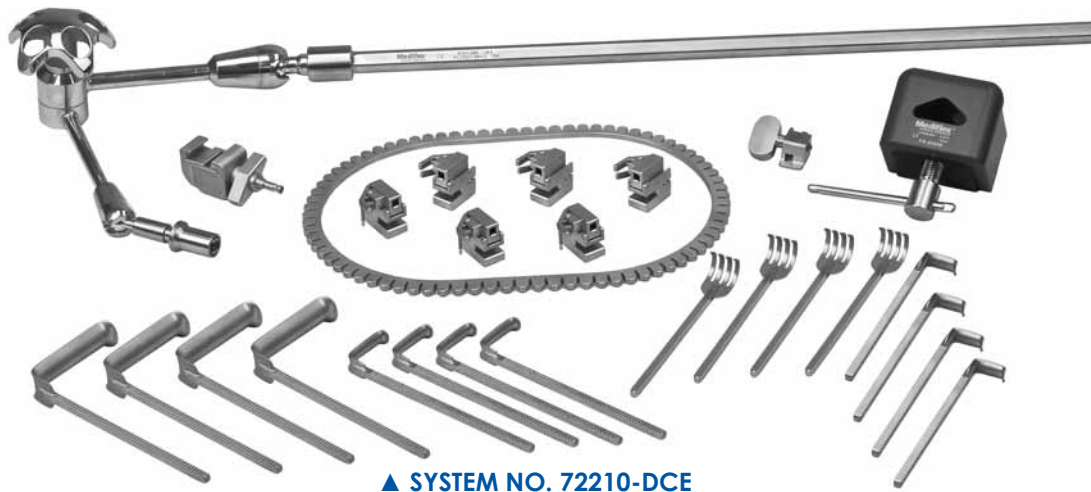
The Mini-Bookler System developed by Dr. Dardik does everything the traditional methods can do but improves upon them by being able to retract upwards and never experiencing fatigue or tremor. Dr. Dardik believes that this system will provide Vascular Surgeons the same benefits that the original Bookler/Bookwalter-styled Systems gave to General Surgeons performing abdominal procedures.

Specifically, Dr. Dardik lists these benefits of the Mini-Bookler System:

- Ideal for Carotid Endarterectomy
 - Facilitates "High Exposure" by having stable retraction and no tremor
 - Particularly valuable in difficult patients:
 - Short Necks
 - "Bull" Necks
 - Barrel Chest
 - High Lesions
 - Deep-lying Carotid
 - Stiff/Immobile Neck
 - Creates better lateral exposure by lifting upwards as well as outward
- Notches in the Retractor Ring can hold Vessel loops, with or without clamps
- The retractor is affixed to the OR Table, not the patient
- The Mini-Twist Ratchet allows very precise retraction



DARDIK MINI-BOOKLER CAROTID ENDARTERECTOMY SYSTEM



Qty.	Ref. No.	Description/Size	Qty.	Ref. No.	Description/Size
1 ea	73001-2SA-H	Dardik Top Mount StrongArm Holder & Positioner with Hudson Connector	4 ea	72254	Blade, Kelly, 3/8" x 3/4"
1 ea	69099	Heavy Duty Rail Clamp	4 ea	72261	Blade, Kelly, 3/8" x 1 1/4"
1 ea	72280-H	Mini-Clasper with Hudson Post	4 ea	72278	Blade, Kelly, 3/4" x 2 1/2"
1 ea	72296	Ring, Solid Oval w/ Notches, 6 1/2" x 10"	4 ea	72150	Rake, 4-Prong Blunt 3/4" Deep
1 ea	72290	Mini-Twist Ratchet	6 ea	72294	Mini-Tilt Ratchet Mechanism

Dr. Dardik writes about the advantages of the Mini-Bookler System in the October, 2012 Edition of *The Journal of Vascular Surgery* (p1166.)

He also demonstrates the use of the system in a DVD that is available from your Mediflex Distributor. Ask for video: SPS-002.

"...hard to believe that after so many cases under my belt, that there is finally a reliable and predictable retractor system that can provide consistent high exposure of the internal carotid artery...I consider this a crucial technical advance."

Herbert Dardik, MD



MOUNTING HARDWARE

REF. NO. 73000 ▼

FRONT MOUNT STRONGARM™ HOLDER AND POSITIONER

Complete with Heavy Duty Rail Clamp and Hex Fitting.



■ REF. NO. 73001

FRONT MOUNT STRONGARM™ HOLDER AND POSITIONER, WITHOUT RAIL CLAMP

Same as above but does not include Heavy Duty Rail Clamp.

REF. NO. 73000-SA ▼

SHORT ARM STRONGARM™ HOLDER AND POSITIONER

Features a short Distal Arm Segment. Complete with Heavy Duty Rail Clamp and Hex Fitting.



■ REF. NO. 73001-SA

SHORT ARM STRONGARM™ HOLDER AND POSITIONER, WITHOUT RAIL CLAMP

Same as above but does not include Heavy Duty Rail Clamp.

REF. NO. 73000-2SA-H ▼

STRONGARM™ HOLDER AND POSITIONER FOR THE DARDIK SYSTEM

Features two short Arm Segments and a Hudson Fitting. Complete with Heavy Duty Rail Clamp.



■ REF. NO. 73001-2SA-H

STRONGARM™ HOLDER AND POSITIONER FOR THE DARDIK SYSTEM, WITHOUT RAIL CLAMP

Same as above but does not include Heavy Duty Rail Clamp.

OTHER COMPONENTS

REF. NO. 72280 ►
MINI-CLASPER (HEX)

Used to connect rings to all StrongArm Devices except The Dardik Arm.



REF. NO. 72294 ►
MINI-TILT RATCHET



REF. NO. 69099 ►
HEAVY DUTY RAIL CLAMP

Used to attach all Mediflex StrongArm Devices to OR Table Rails.



REF. NO. 72280-H ►
MINI-CLASPER (HUDSON)

Used to connect rings to The Dardik Arm.



REF. NO. 72290 ►
MINI-TWIST RATCHET

Allows micro-adjustment of ratcheted blades.



REF. NO. 72225 ►
RAIL CLAMP ADAPTOR

Used to adapt all Mediflex Devices to OR Tables with Larger Rails.



SPLIT RINGS

◀ **REF. NO. 72295**
Adjustable Round Split Ring with Hex Fitting.
7" (17.8cm) Diameter in closed position.

**RINGS**
OVAL SEGMENTED

- ◀ **REF. NO. 72283**
5" x 7½" (12.7cm x 19cm)
- **REF. NO. 72287**
5" x 8½" (12.7cm x 21.6cm)
- **REF. NO. 72289**
6½" x 8½" (16.5cm x 21.6cm)
- **REF. NO. 72285**
6½" x 10" (16.5cm x 25.4cm)

STRAIGHT SEGMENTS

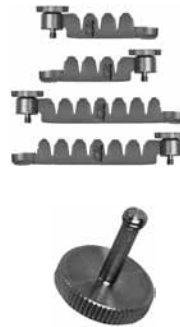
(Sold as Pairs)

- ◀ **REF. NO. 72286**
2½" (6.3cm)
- ◀ **REF. NO. 72288**
3½" (8.9cm)

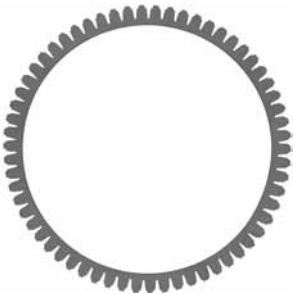
CURVED SEGMENTS

(Sold as Pairs)

- ◀ **REF. NO. 72282**
Ø5" (12.7cm)
- ◀ **REF. NO. 72284**
Ø6½" (16.5cm)

**REPLACEMENT SCREW**

- ◀ **REF. NO. 72292**
For Mini-Bookler Segmented Rings

SOLID CIRCLE

- ◀ **REF. NO. 72281**
Ø8½" (21.6cm)

SOLID OVAL

- ◀ **REF. NO. 72296**
6½" x 10" (16.5cm x 25.4cm)

RETRACTOR BLADES
MALLEABLE BLADES

Note: All Blade Dimensions show Width x Depth.

- ▼ **REF. NO. 72251** | ½" x 2" (1.3cm x 5.1cm)



- ▼ **REF. NO. 72259** | ½" x 2½" (1.3cm x 6.4cm)



- ▼ **REF. NO. 72272** | ¾" x 4" (1.9cm x 10.2cm)



- ▼ **REF. NO. 72274** | 1" x 4" (2.5cm x 10.2cm)



- ▼ **REF. NO. 72260** | ½" x 2¼" (1.3cm x 5.7cm)



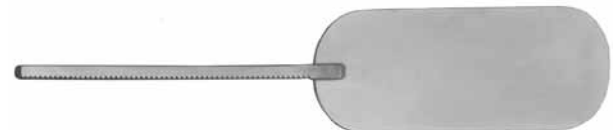
- ▼ **REF. NO. 72273** | ½" x 4" (1.3cm x 10.2cm)



- ▼ **REF. NO. 72277** | ¾" x 5" (1.9cm x 12.7cm)



- ▼ **REF. NO. 72275** | 1½" x 4" (3.8cm x 10.2cm)

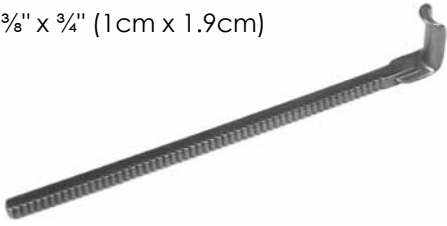


RETRACTOR BLADES
KELLY BLADES

Note: All Blade Dimensions show Width x Depth.

REF. NO. 72254 ▼

3/8" x 3/4" (1cm x 1.9cm)



REF. NO. 72253 ▼

3/8" x 1" (1cm x 2.5cm)



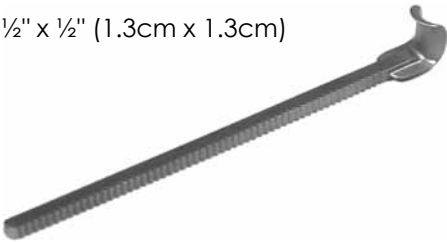
REF. NO. 72261 ▼

3/8" x 1 1/4" (1cm x 3.2cm)



REF. NO. 72267 ▼

1/2" x 1/2" (1.3cm x 1.3cm)



REF. NO. 72262 ▼

1/2" x 1 1/2" (1.3cm x 3.8cm)



REF. NO. 72263 ▼

1/2" x 2" (1.3cm x 5.1cm)



REF. NO. 72268 ▼

3/4" x 1 1/2" (1.9cm x 3.8cm)



REF. NO. 72278 ▼

3/4" x 2 1/2" (1.9cm x 6.4cm)



REF. NO. 72279 ▼

3/4" x 3" (1.9cm x 7.6cm)



REF. NO. 72269 ▼

1" x 1 1/2" (2.5cm x 3.8cm)



REF. NO. 72270 ▼

1 1/2" x 1 1/2" (3.8cm x 3.8cm)



REF. NO. 72271 ▼

1 1/2" x 2" (3.8cm x 5.1cm)



BALFOUR/DENNIS BROWN

REF. NO. 71180 ▼

1 1/2" x 1 1/2" (3.8cm x 3.8cm)



REF. NO. 71181 ▼

1" x 1 1/8" (2.5cm x 2.9cm)



DEAVER

REF. NO. 72276 ▼

1/2" x 2" (1.3cm x 5.1cm)



RETRACTOR BLADES

Note: All Blade Dimensions show Width x Depth.

HOOKS AND RAKES

REF. NO. 72255 ▼

Single
Blunt



▲ REF. NO. 72255-S
Single, Sharp

REF. NO. 72256 ▼

Double
Blunt



▲ REF. NO. 72256-S
Double, Sharp

REF. NO. 72252 ▼

Triple
Blunt



▲ REF. NO. 72252-S
Triple, Sharp

REF. NO. 72257 ▼

Quad
Blunt



▲ REF. NO. 72257-S
Quad, Sharp

REF. NO. 72150 ▼

Quad Blunt,
Deep



SENN-MILLER

REF. NO. 72250 ▼



FLEX-LIGHT™ FIBEROPTIC LIGHT FOR TABLE MOUNTED RETRACTOR SYSTEMS

▼ REF. NO. 72077-MINI

FLEX-LIGHT Frame Clip
for Mini-Bookler® Systems



▼ REF. NO. 72078

FLEX-LIGHT Malleable
Fiber Optic Light Pipe



Supplied with adapters for
Storz/Olympus, Wolf and ACMI
styled Light Cords.

▼ REF. NO. 72076-MINI

Flex-Light Fiber Optic Kit
Kit Contains the Frame
Clip and the Light Pipe



REF. NO. 69708-MB▶

Mini-Bookler Ratchet Bar Attachment

This device allows any Mini-Bookler Retractor Blade to be attached to any Mediflex manufactured Surgical Holder and Positioner equipped with a Quick Disconnect Distal Tip.



RATCHET BAR



(Note: Retractor Blade and StrongArm Device sold separately)

CONTAINER SYSTEMS

REF. NO. 72151 ▶
Mediflex Table Mounted Retractor Sterilization Two-Container System



Includes:

1 ea 72152
1 ea 72153

Used for:

Complete Bookler Systems

REF. NO. 72152 ▶
Large Container for Mediflex Sterilization Container System



1 ea 72152-A
1 ea 72152-B
1 ea 72152-C

Bookler Mounting Hardware (in lower basket) and Rings (in upper basket)

REF. NO. 72153 ▶
Small Container for Mediflex Sterilization Container System



1 ea 72153-A
1 ea 72153-B

Bookler Couplers, Blades and Ratchets

REF. NO. 72240 ▶
Mini-Bookler Sterilization Container with 2 Inner Baskets



Container and 2 Inner Baskets

Complete Mini-Bookler System (in top basket) and StrongArm Holder (in lower basket)

CONTAINER COMPONENTS

Dimensions (L x W x D)

REF. NO. 72240 ▶

See photo above

23¹/₈" x 11" x 7¹/₄" (58.7cm x 27.9cm x 18.4cm)

REF. NO. 72152-A ▶
Large Bookler Container



23¹/₂" x 15¹/₂" x 7" (59.3cm x 40cm x 17.8cm)

REF. NO. 72152-B ▶
Deep Inner Basket for 72152-A



21" x 13" x 4" (53.3cm x 33.7cm x 10.1cm)

REF. NO. 72152-C ▶
Shallow Inner Basket for 72152-A



21" x 13" x 2" (53.3cm x 33.7cm x 5.1cm)

REF. NO. 72153-A ▶
Small Bookler Container



22³/₈" x 11" x 5¹/₂" (58cm x 28cm x 13.5cm)

REF. NO. 72153-B ▶
Inner Basket for 72153-A



21" x 10" x 2³/₄" (53.3cm x 25.5cm x 7cm)

CONTAINER CONSUMABLES

REF. NO. 72243 ▶
Filters, Pack of 100 ea



REF. NO. 72244 ▶
Security Seals, Pack of 100 ea



REF. NO. 72245 ▶
Labels, Pack of 100 ea



WRAPABLE STERILIZING TRAYS

Dimensions (L x W x D)

REF. NO. 72001 ▶
Bookler System Tray Set, 2 Piece Aluminum Designed to hold a Bookler General Surgery System (Ref. No. 72000) and other similar Bookler and Bookwalter Brand Systems.



23" x 13¹/₂" x 6" (58.4cm x 34.3cm x 15.2cm)

REF. NO. 69760 ▶
Multi-use Lidded Tray, Perforated, Aluminum



22³/₄" x 10³/₄" x 4³/₄" (57.7cm x 26.9cm x 11.9cm)

REF. NO. 69761 ▶
Multi-use Lidded Tray, Perforated, Aluminum



26³/₄" x 11" x 6" (67.8cm x 27.9cm x 15.2cm)

REF. NO. 69762 ▶
Multi-use Lidded Tray, Perforated Aluminum



31" x 11" x 6" (78.7cm x 27.9cm x 15.2cm)

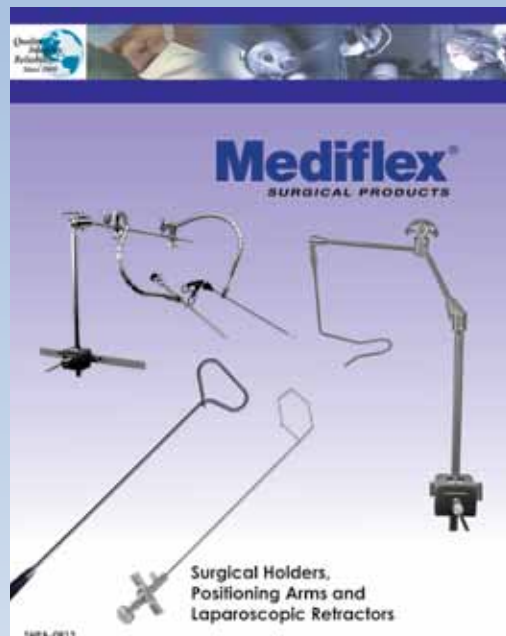
REF. NO.	Page	REF. NO.	Page	REF. NO.	Page	REF. NO.	Page	REF. NO.	Page
69029	11	72026	10	72075	14	72152-C	28	72269	26
69031	11	72027	11	72076	18	72153	28	72270	26
69099	9	72027-125	11	72076-MINI	27	72153-A	28	72271	26
69099	24	72027-85	11	72077	18	72153-B	28	72272	25
69192	11	72028	10	72077-MINI	27	72160	18	72273	25
69195	11	72030-105	11	72078	18	72193	10	72274	25
69196	11	72030-125	11	72078	27	72200	12	72275	25
69260	11	72030-85	11	72080	15	72200-SA	12	72276	26
69261	11	72031	17	72081	15	72201	12	72277	25
69262	11	72032	17	72101	17	72201-SA	12	72278	26
69266	11	72033	17	72102	6	72210-DCE	23	72279	26
69615	17	72034	17	72102-P	6	72224	9	72280	24
69708	10	72035	11	72107	14	72225	9	72280-H	24
69708-MB	27	72036	11	72108	14	72225	24	72281	25
69760	28	72037	11	72109	15	72227	22	72282	25
69761	28	72038	16	72110	13	72228	20	72283	25
69762	28	72039	14	72111	13	72230	21	72284	25
71180	26	72040	13	72112	13	72231	22	72285	25
71181	26	72041	13	72113	10	72232	21	72286	25
71900	3	72042	17	72114	10	72233	21	72287	25
71900-SA	4	72043	17	72115	15	72234	20	72288	25
71901	3	72044	14	72116	15	72236	20	72289	25
72000	2	72045	14	72117	15	72238	22	72290	24
72000-SA	4	72046	16	72118	17	72240	28	72292	25
72001	28	72047	17	72119	17	72243	28	72294	24
72007	13	72048	13	72120	17	72244	28	72295	25
72009	9	72049	14	72121	17	72245	28	72296	25
72009-EL	9	72052	16	72122	17	72250	27	73000	24
72010	9	72053	13	72123	11	72251	25	73000-2SA-H	24
72011	9	72054	13	72124	10	72252	27	73000-SA	24
72011-EL	9	72056	13	72125	16	72252-S	27	73001	24
72012	10	72057	18	72126	16	72253	26	73001-2SA-H	24
72013	10	72058	15	72127	15	72254	26	73001-SA	24
72013-C	10	72059	14	72128	15	72255	27	73055-BC	9
72014	10	72061	13	72129	5	72255-S	27	73056-BC	9
72015	13	72062	16	72129-24	5	72256	27	73057-BC	10
72016	14	72063	16	72131	8	72256-S	27	75289	18
72017	14	72064	13	72132	5	72257	27	75290	18
72018	16	72065	13	72135	8	72257-S	27	75291	18
72019	13	72066	13	72137	8	72259	25	75292	18
72020	13	72067	15	72147	6	72260	25	75293	18
72021	14	72069	16	72150	27	72261	26	75294	17
72022	14	72070	7	72151	28	72262	26	75295	18
72023	15	72070-D	7	72152	28	72263	26		
72024	16	72071	16	72152-A	28	72267	26		
72025	10	72072	16	72152-B	28	72268	26		

Limited Product Warranty: All products in this catalog are warranted to the original purchaser to be free from defects in the material and workmanship for a period of one (1) year from the date of purchase as indicated by the date stamp on the part. If a product proves to be defective, purchaser should obtain a Returned Goods Authorization from Mediflex and return it to the address below. Mediflex will repair or replace defective products at our option. Mediflex's ability under this limited warranty does not extend to any abuse or misuse of the product.

Also Available from Mediflex Surgical Products....



RET-URB0813 Universal Round Bar
Table Mounted Retractor Systems



SHPA-0913 Surgical Holders, Positioning
Arms and Laparoscopic Retractors

**To Order Mediflex Products contact your
local Distributor or contact Mediflex at:**

toll free (USA): 800-764-0474

phone: +1-631-582-6424

fax: +1-631-582-4520

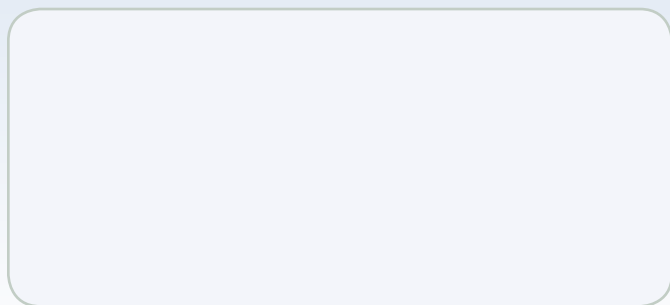
email: sales@mediflex.com

Mediflex Order Dept.

250 Gibbs Road

Islandia, NY 11749-2697

USA



You can find your distributor at www.mediflex.com

Mediflex®

SURGICAL PRODUCTS

© 2013 Mediflex Surgical Products, Islandia, NY