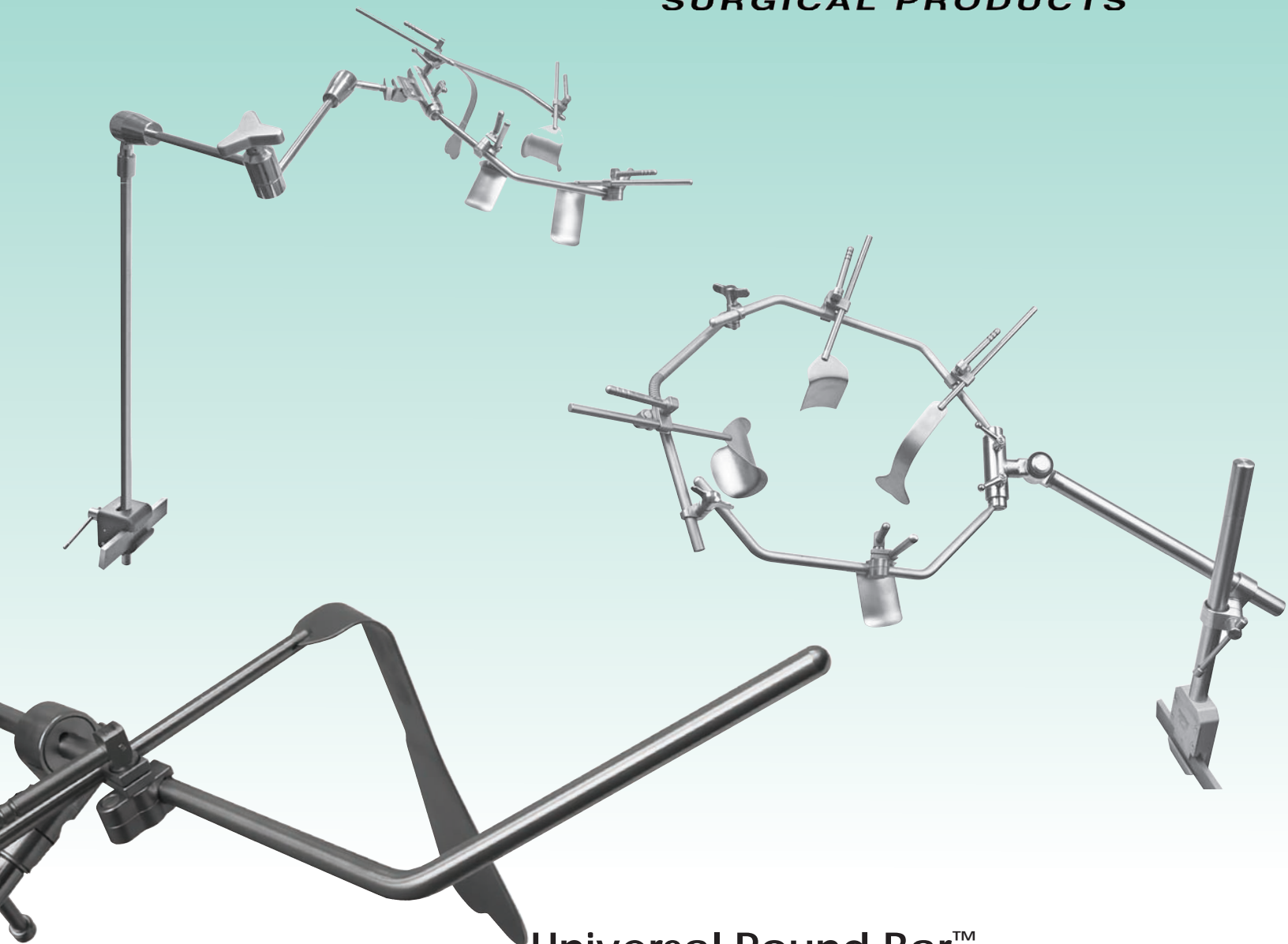




Mediflex®

SURGICAL PRODUCTS



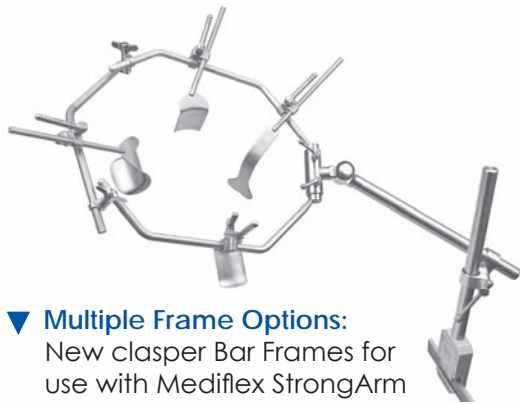
Universal Round Bar™ Table Mounted Retractor Systems

MEDIFLEX®
THE SURGICAL INNOVATION COMPANY™

MEDIFLEX UNIVERSAL ROUND BAR TABLE MOUNTED RETRACTOR SYSTEMS

Mediflex, the company that brought you the World Renowned Bookler® and Mini-Bookler® Table Mounted Retractor Systems, also offers a Round Bar, Split-Ring “Wishbone” Style Table Mounted Retractor System. Designed for surgeons who trained on or prefer the split ring design, The Mediflex System offers many innovations not seen in other Split-Ring products. All frames feature independent locking arms for fast, precise positioning of either arm.

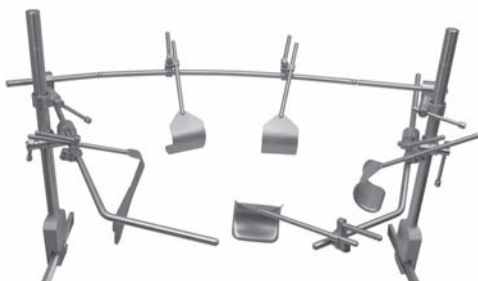
Mediflex innovations include:



▼ **Multiple Frame Options:**
 New clasper Bar Frames for use with Mediflex StrongArm PLUS Holder or Bookler Horizontal Bars.



▼ **Bilateral System** for Liver Transplant, Upper Abdominal and Bariatric Surgery



■ **Multiple Options for Mounting the System to the O.R. Table**

◀ Using a traditional Bookler Field Post and Coupler



▶ Using the height-adjustable Mediflex® **elevator™** Field Post, Horizontal Flex Bar and Coupler

▼ Using the height-adjustable StrongArm PLUS™ Surgical Holder and Positioner



■ **Quick and easy Snap Clamps** attach to all 1/2" diameter Round Bar Systems and hold all Round Bar Blades with 3/8" diameter Handles.



For additional information please contact your Mediflex Distributor or visit us at: www.mediflex.com



Mediflex Headquarters
 Islandia, New York, USA



MEDIFLEX IS CERTIFIED TO STANDARDS:
ISO 13485:2003 AND ISO 9001:2008

CE
0120

Universal Round Bar Table Mounted Retractor Systems and Components

General Surgery Systems

General Surgery Basic System.....	2
Large Incision Surgery System	2
Small Incision Surgery System	2
General Surgery Basic System with Interchangeable Arms	3
StrongArm PLUS [™] General Surgery Basic System	3
StrongArm PLUS [™] Small Incision System	3

Starter Systems

Large Frame Starter Systems	4
Small Frame (Small Incision) Starter Systems	4

Specialty Systems

Vascular Surgery System.....	5
Expanded Vascular Surgery System.....	5
Urology Surgery System with Interchangeable Arm Frame.....	5
Urology Surgery System with Fixed, Large Frame	5
Bilateral Surgery System.....	6

Accessory Sets

Bariatric Accessory Sets	6
--------------------------------	---

Components

Table Mounting Hardware	7
Post Couplers	8
Snap Clamps.....	8
Cross Bars, Lateral Bars and Bridges	8
Vertical Extension Bars	8
Retractor Frames	9
Flex-Light Fiber Optic System.....	9
Retractor Blades	10-15

Mediflex Sterilization Containers and Trays

Container Systems	16
Container Components	16
Container Consumables.....	16
Wrapable Trays	16

Numeric Index

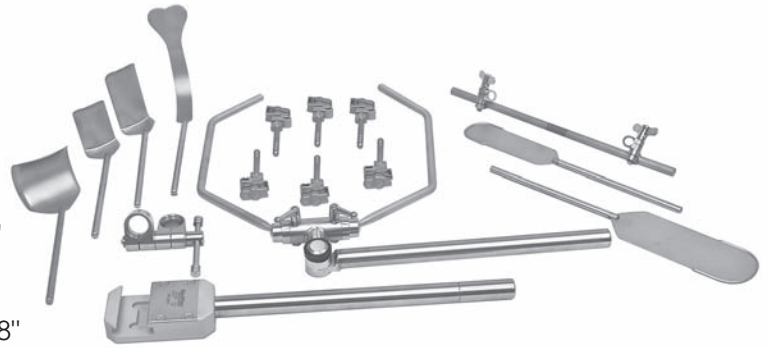
Inside Back Cover

GENERAL SURGERY SYSTEMS

GENERAL SURGERY BASIC SYSTEM

▶ **SYSTEM NO. 69600**

Qty.	Ref. No.	Description/Size
1 ea	72011	Field Post, 12"
1 ea	72013	Post Coupling
1 ea	69589	Universal Frame, Large
1 ea	69592	Extension Bridge Kit
6 ea	69187-S	Quick Lock Blade Clamps
1 ea	69603	Swivel Blade, Balfour 3" x 2 ⁵ / ₈ "
1 ea	69604	Swivel Blade, Harrington 1" x 5 ⁵ / ₈ " x 2 ¹ / ₂ "
1 ea	69605	Swivel Blade, Malleable 3" x 8"
1 ea	69606	Swivel Blade, Malleable 2" x 6"
1 ea	69607	Swivel Blade, Kelly 2" x 3"
1 ea	69608	Swivel Blade, Kelly 2" x 4"



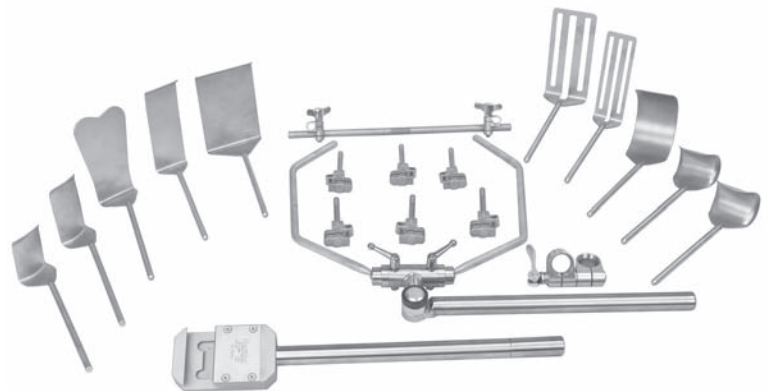
"Mediflex's dedication to product innovation, design and quality offers a continuously expanding choice of tools for today's most challenging surgical demands."

John R. Bookwalter, M.D., F.A.C.S.

LARGE INCISION SURGERY SYSTEM

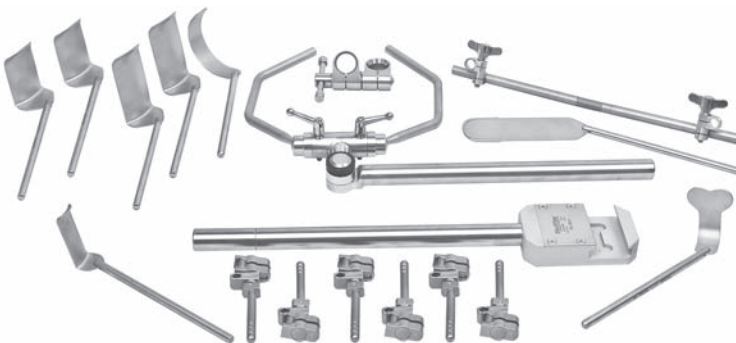
▶ **SYSTEM NO. 69625**

Qty.	Ref. No.	Description/Size
1 ea	72011	Field Post, 12"
1 ea	72013-C	Quick-Lock Post Coupler
1 ea	69589	Universal Frame, Large
1 ea	69592	Extension Bridge Kit
6 ea	69187-S	Quick Lock Blade Clamps
2 ea	69772-R	Swivel Blade, Balfour 2 ³ / ₄ " x 2"
1 ea	72183-R	Swivel Blade, Fence, 4" x 6"
1 ea	75250	Swivel Blade, Fence, 2" x 6"
1 ea	72169-R	Swivel Blade, Deaver, 2 ³ / ₄ " x 4 ¹ / ₂ "
1 ea	69605-SL	Swivel Blade, Slotted Malleable 3" x 6 ¹ / ₂ "
1 ea	69606-SL	Swivel Blade, Slotted Malleable 2" x 6 ¹ / ₂ "
1 ea	72080-R	Swivel Blade, Harrington, 2 ¹ / ₂ " x 5 ⁵ / ₈ " x 3 ¹ / ₂ "
1 ea	75149	Swivel Blade, Kelly 3" x 2 ¹ / ₂ "
1 ea	75150	Swivel Blade, Kelly 3" x 4"



SMALL INCISION SURGERY

◀ **SYSTEM NO. 69610**

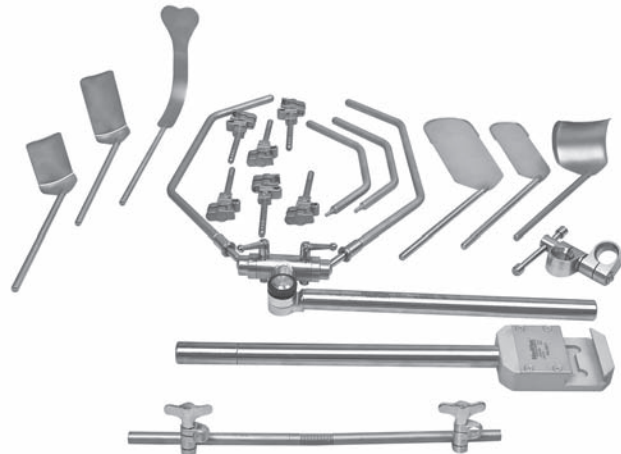


Qty.	Ref. No.	Description/Size
1 ea	72011	Field Post, 12"
1 ea	72013	Post Coupling
1 ea	69589-S	Universal Frame, Small
1 ea	69592	Extension Bridge Kit
6 ea	69187-S	Quick Lock Blade Clamps
1 ea	72052-R	Swivel Blade, Deaver 1" x 3 ¹ / ₂ "
1 ea	72109-R	Swivel Blade, Harrington 1" x 2 ¹ / ₂ " x 2"
1 ea	69606	Swivel Blade, Malleable 2" x 6"
1 ea	72107-R	Swivel Blade, Kelly 1" x 3"
2 ea	69607	Swivel Blade, Kelly 2" x 3"
2 ea	69608	Swivel Blade, Kelly 2" x 4"

GENERAL SURGERY BASIC SYSTEM WITH INTERCHANGEABLE FRAME ARMS

► SYSTEM NO. 69600-DALS

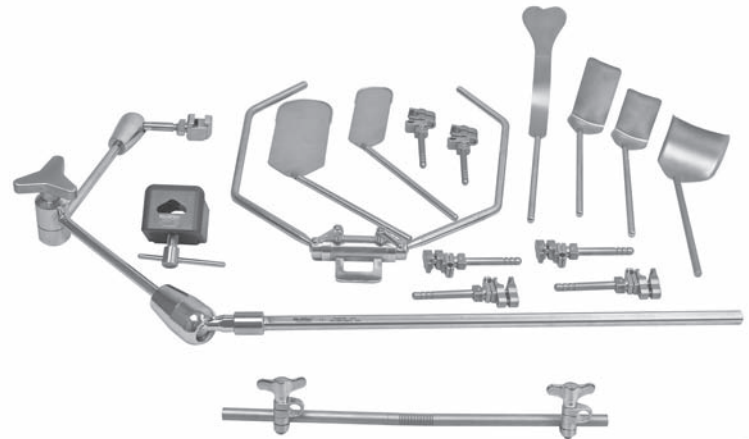
Qty.	Ref. No.	Description/Size
1 ea	72011	Field Post, 12"
1 ea	72013	Post Coupling
1 ea	69589-DALS	Universal Frame, Large w/ Interchangeable Arms
1 ea	69592	Extension Bridge Kit
6 ea	69187-S	Quick Lock Blade Clamps
1 ea	69603	Swivel Blade, Balfour 3" x 2 ⁵ / ₈ "
1 ea	69604	Swivel Blade, Harrington 1" x 5 ⁵ / ₈ " x 2 ¹ / ₂ "
1 ea	69605	Swivel Blade, Malleable 3" x 8"
1 ea	69606	Swivel Blade, Malleable 2" x 6"
1 ea	69607	Swivel Blade, Kelly 2" x 3"
1 ea	69608	Swivel Blade, Kelly 2" x 4"



► SYSTEM NO. 69600-SA

Qty.	Ref. No.	Description/Size
1 ea	73056-BC	Top Mount StrongArm PLUS Holder and Positioner with attached Frame Clamping Device
1 ea	69099	Heavy Duty Rail Clamp
1 ea	69589-CL	Universal Frame, Large with Clasper Bar
1 ea	69592	Extension Bridge Kit
6 ea	69187-S	Quick Lock Blade Clamps
1 ea	69603	Swivel Blade, Balfour 3" x 2 ⁵ / ₈ "
1 ea	69604	Swivel Blade, Harrington 1" x 5 ⁵ / ₈ " x 2 ¹ / ₂ "
1 ea	69605	Swivel Blade, Malleable 3" x 8"
1 ea	69606	Swivel Blade, Malleable 2" x 6"
1 ea	69607	Swivel Blade, Kelly 2" x 3"
1 ea	69608	Swivel Blade, Kelly 2" x 4"

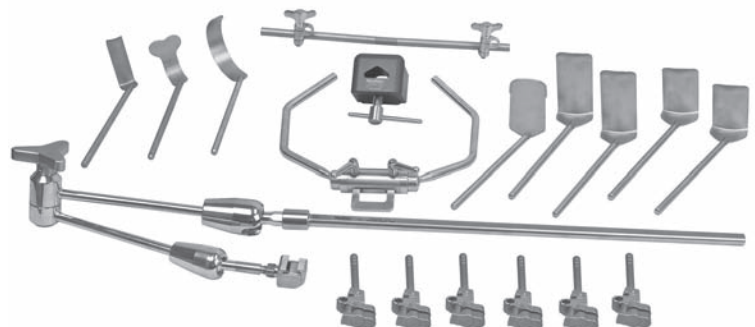
STRONGARM **PLUS**-GENERAL SURGERY BASIC SYSTEM



► SYSTEM NO. 69610-SA

Qty.	Ref. No.	Description/Size
1 ea	73056-BC	Top Mount StrongArm PLUS Holder and Positioner with attached Frame Clamping Device
1 ea	69099	Heavy Duty Rail Clamp
1 ea	69589-CS	Universal Frame, Small with Clasper Bar
1 ea	69592	Extension Bridge Kit
6 ea	69187-S	Quick Lock Blade Clamps
1 ea	72052-R	Swivel Blade, Deaver 1" x 3 ¹ / ₂ "
1 ea	72109-R	Swivel Blade, Harrington 1" x 2 ¹ / ₂ " x 2"
1 ea	69606	Swivel Blade, Malleable 2" x 6"
1 ea	72107-R	Swivel Blade, Kelly 1" x 3"
2 ea	69607	Swivel Blade, Kelly 2" x 3"
2 ea	69608	Swivel Blade, Kelly 2" x 4"

STRONGARM **PLUS**-SMALL INCISION SYSTEM



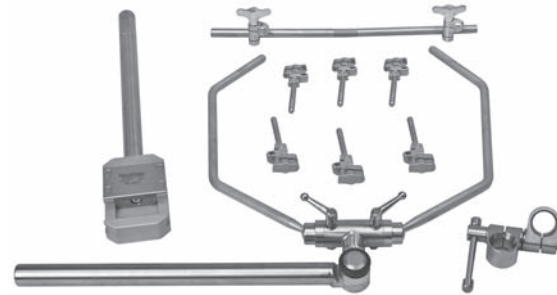
See component pages 7 - 15, for all metric equivalents

The Systems shown on this page are designed to provide the basic Mounting Hardware, Frame and Snap Clamps needed to build a complete system. Just add the retractor blades for a complete customized system.

► **SYSTEM NO. 69601**

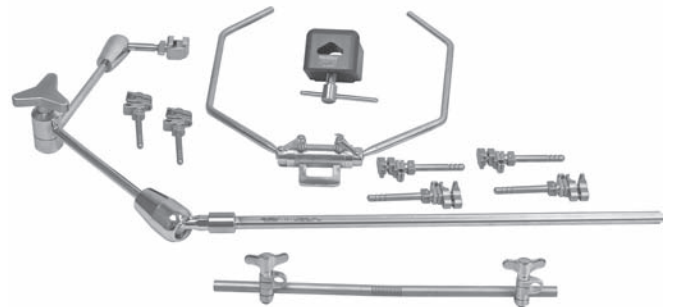
Qty.	Ref. No.	Description/Size
1 ea	72011	Field Post, 12"
1 ea	72013	Post Coupling
1 ea	69589	Universal Frame, Large
1 ea	69592	Extension Bridge Kit
6 ea	69187-S	Quick Lock Blade Clamps

LARGE FRAME STARTER SYSTEMS



► **SYSTEM NO. 69601-SA**

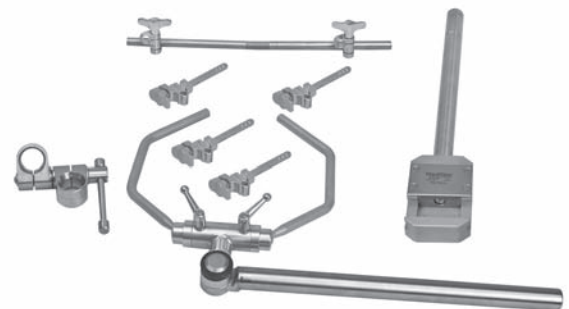
Qty.	Ref. No.	Description/Size
1 ea	73056-BC	Top Mount StrongArm PLUS
1 ea	69099	Heavy Duty Rail Clamp
1 ea	69589-CL	Univ. Frame, Large w/ Clasper Bar
1 ea	69592	Extension Bridge Kit
6 ea	69187-S	Quick Lock Blade Clamps



SMALL FRAME STARTER SYSTEMS

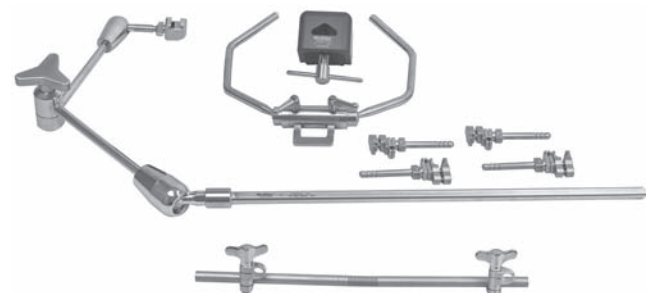
► **SYSTEM NO. 69602-S**

Qty.	Ref. No.	Description/Size
1 ea	72011	Field Post, 12"
1 ea	72013	Post Coupling
1 ea	69589-S	Universal Frame, Small
1 ea	69592	Extension Bridge Kit
4 ea	69187-S	Quick Lock Blade Clamps



► **SYSTEM NO. 69605-SA**

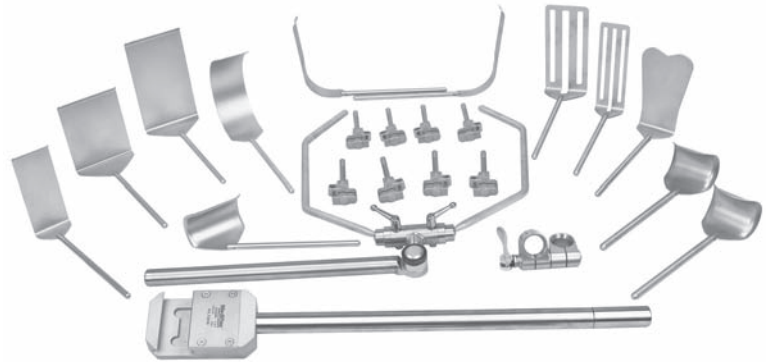
Qty.	Ref. No.	Description/Size
1 ea	73056-BC	Top Mount StrongArm PLUS
1 ea	69099	Heavy Duty Rail Clamp
1 ea	69589-CS	Univ. Frame, Small w/ Clasper Bar
1 ea	69592	Extension Bridge Kit
4 ea	69187-S	Quick Lock Blade Clamps



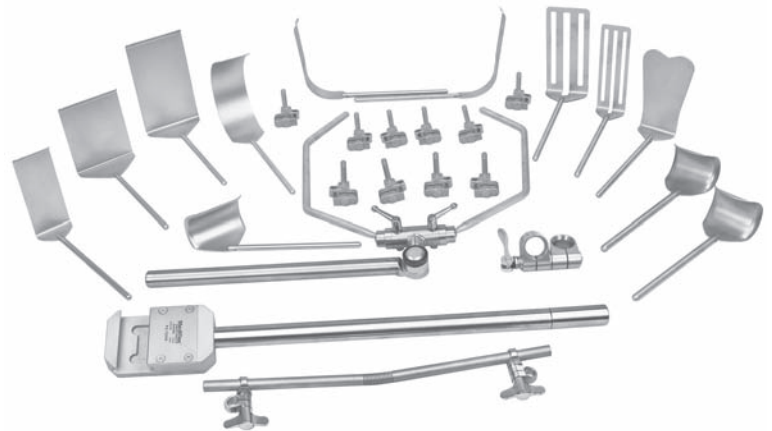
See component Pages 7-15 for all metric equivalents

► **SYSTEM NO. 69640**

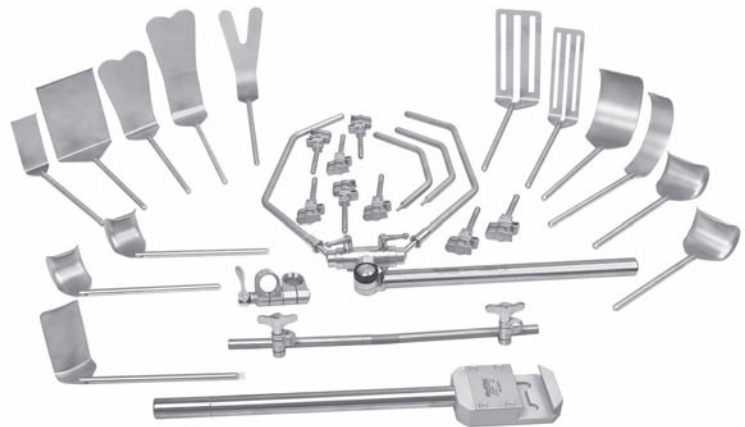
Qty.	Ref. No.	Description/Size
1 ea	72009	Field Post, 18"
1 ea	72013-C	Post Coupling with Cam
1 ea	69589	Universal Frame, Large
8 ea	69187-S	Quick Lock Blade Clamps
2 ea	69772-R	Swivel Blade, Balfour 2 $\frac{3}{4}$ " x 2"
1 ea	72185-R	Swivel Blade, Balfour 3 $\frac{1}{2}$ " x 2 $\frac{3}{8}$ "
1 ea	69745	Swivel Blade, Fence 4" x 7"
1 ea	72071-R	Swivel Blade, Fence 4" x 5"
1 ea	72178-R	Swivel Blade, Fence 2 $\frac{1}{4}$ " x 5 $\frac{1}{2}$ "
2 ea	72042-R	Swivel Blade, Wylie 1" x 7"
1 ea	72175-R	Swivel Blade, Deaver 2 $\frac{1}{2}$ " x 6"
1 ea	69606-SL	Slotted Malleable 2" x 6 $\frac{1}{2}$ "
1 ea	69605-SL	Slotted Malleable 3" x 6 $\frac{1}{2}$ "
1 ea	72080-R	Swivel Blade, Harrington 2 $\frac{1}{2}$ " x 5 $\frac{5}{8}$ " x 3 $\frac{1}{2}$ "

**UNIVERSAL ROUND BAR SYSTEM
FOR VASCULAR SURGERY**► **SYSTEM NO. 69640-D**

Qty.	Ref. No.	Description/Size
1 ea	72009	Field Post, 18"
1 ea	72013-C	Post Coupling with Cam
1 ea	69589	Universal Frame, Large
1 ea	69592	Extension Bridge Kit
10 ea	69187-S	Quick Lock Blade Clamps
2 ea	69772-R	Swivel Blade, Balfour 2 $\frac{3}{4}$ " x 2"
1 ea	72185-R	Swivel Blade, Balfour 3 $\frac{1}{2}$ " x 2 $\frac{3}{8}$ "
1 ea	69745	Swivel Blade, Fence 4" x 7"
1 ea	72071-R	Swivel Blade, Fence 4" x 5"
1 ea	72178-R	Swivel Blade, Fence 2 $\frac{1}{4}$ " x 5 $\frac{1}{2}$ "
2 ea	72042-R	Swivel Blade, Wylie 1" x 7"
1 ea	72175-R	Swivel Blade, Deaver 2 $\frac{1}{2}$ " x 6"
1 ea	69606-SL	Slotted Malleable 2" x 6 $\frac{1}{2}$ "
1 ea	69605-SL	Slotted Malleable 3" x 6 $\frac{1}{2}$ "
1 ea	72080-R	Swivel Blade, Harrington 2 $\frac{1}{2}$ " x 5 $\frac{5}{8}$ " x 3 $\frac{1}{2}$ "

**EXPANDED UNIVERSAL ROUND BAR
SYSTEM FOR VASCULAR SURGERY**► **SYSTEM NO. 69650**

Qty.	Ref. No.	Description/Size
1 ea	72011	Field Post, 12"
1 ea	72013-C	Post Coupling with Cam
1 ea	69589-DALS	Universal Frame, Large with Interchangeable Arms
1 ea	69592	Extension Bridge Kit
8 ea	69187-S	Quick Lock Blade Clamps
1 ea	72169-R	Swivel Blade, Deaver 2 $\frac{3}{4}$ " x 4 $\frac{1}{2}$ "
1 ea	72172-R	Swivel Blade, Deaver 1 $\frac{1}{2}$ " x 5"
1 ea	72183-R	Swivel Blade, Fence 4" x 6"
1 ea	72080-R	Swivel Blade, Harrington 2 $\frac{1}{2}$ " x 5 $\frac{5}{8}$ " x 3 $\frac{1}{2}$ "
1 ea	72081-R	Swivel Blade, Harrington 2 $\frac{1}{2}$ " x 8" x 3 $\frac{1}{2}$ "
1 ea	69606-SL	Slotted Malleable 2" x 6 $\frac{1}{2}$ "
1 ea	69605-SL	Slotted Malleable 3" x 6 $\frac{1}{2}$ "
1 ea	69608	Swivel Blade, Kelly 2" x 4"
1 ea	72057-R	Carroll Malleable 1 $\frac{1}{2}$ " x 3 $\frac{1}{4}$ " x 7"
2 ea	69774-R	Swivel Blade, Balfour 2" x 2"
2 ea	69772-R	Swivel Blade, Balfour 2 $\frac{3}{4}$ " x 2"
1 ea	72168-R	Swivel Blade, Fence 1 $\frac{1}{2}$ " x 4"

**UNIVERSAL ROUND BAR SYSTEM
FOR UROLOGIC SURGERY****SYSTEM NO. 69650-F**

This system is similar to System No. 69650 above, except that it features a Large Fixed Arm Frame (Ref. No. 69589) instead of the Interchangeable Arm Frame shown above.

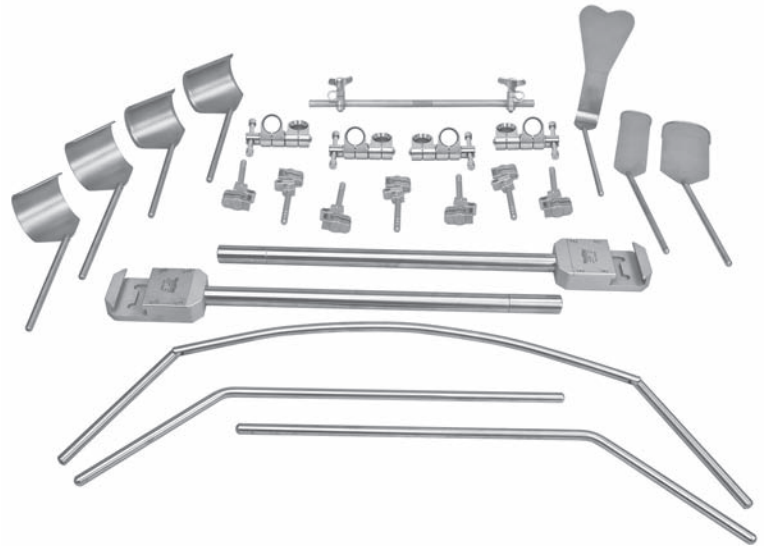
**UNIVERSAL ROUND BAR SYSTEM
FOR UROLOGIC SURGERY -
WITH STANDARD FRAME**

Mediflex offers a Bilateral System for Surgeons who prefer extra support in Liver Transplant, Upper Abdominal Procedures or Open Bariatric Surgery.

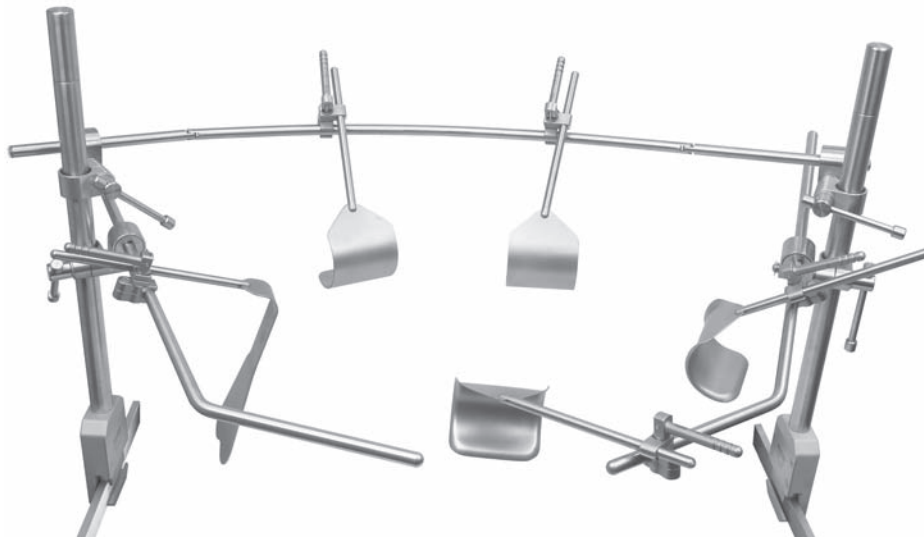
BILATERAL TABLE MOUNTED RETRACTOR SYSTEM

► **SYSTEM NO. 69621**

Qty.	Ref. No.	Description/Size
2 ea	72009	Field Post, 18"
4 ea	69613	Post Coupling 1" x 1/2"
1 ea	69611	Hinged Crossbar Frame
2 ea	69614	Angled Lateral Arm 1/2" x 8" x 16"
7 ea	69187-S	Quick Lock Blade Clamps
1 ea	69740	Swivel Blade, Harrington 2 1/2" x 5 5/8" x 3 1/2"
2 ea	69615-R	Swivel Blade, Sternal, 3" x 3"
2 ea	72186-R	Swivel Blade, Balfour 3 1/2" x 3 1/8"
1 ea	72066-R	Swivel Blade, Malleable 2" x 8"
1 ea	69605	Swivel Blade, Malleable 3" x 8"



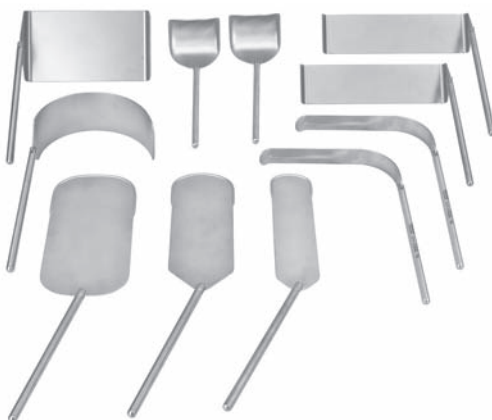
Possible Bilateral Set-Up:



BARIATRIC ACCESSORY SET

◀ **SYSTEM NO. 69616**

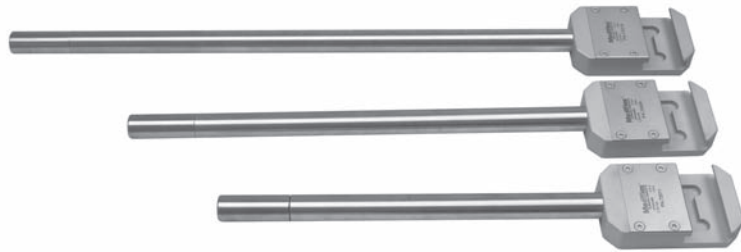
This Blade Assortment can be added to a Starter System or a General System to create a Bariatric Set.



Qty.	Ref. No.	Description/Size
2 ea	72180-R	Swivel Blade, Fence 2 3/8" x 8 3/8"
2 ea	72042-R	Swivel Blade, Wylie 1" x 7"
1 ea	72175-R	Swivel Blade, Deaver 2 1/2" x 6"
2 ea	69603	Swivel Blade, Balfour 3" x 2 5/8"
1 ea	69745	Swivel Blade, Fence 4" x 7"
1 ea	72066-R	Swivel Blade, Malleable 2" x 8"
1 ea	69605	Swivel Blade, Malleable 3" x 8"
1 ea	72112-R	Swivel Blade, Malleable 4" x 8"

TABLE MOUNTING HARDWARE

Traditional Field Posts



◀ **REF. NO. 72010**
24" (60cm)
Field Post

◀ **REF. NO. 72009**
18" (45cm)
Field Post

◀ **REF. NO. 72011**
12" (30cm)
Field Post



The Security Collar Option Shown above is available on any Traditional Field Post. Please contact your Mediflex Distributor or Mediflex Surgical Products for Special Order Requests.



◀ **ele⁺ator™ Adjustable Field Posts**

The Mediflex **ele⁺ator™** Adjustable Height Field Posts allow raising or lowering the height of the Post without switching to a different device. Each has several height settings that will lock securely in place once selected.



◀ **REF. NO. 72011-EL**
9" - 14" (22.9cm - 35.6cm) Field Post

◀ **REF. NO. 72009-EL**
12" - 18" (30cm - 45cm) Field Post



Mounting Hardware for Frames with Clasper Bars (see page 9)

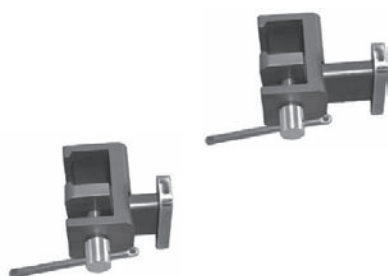
◀ **REF. NO. 73055-BC**
Top Mount StrongArm™ Plus with Clasper Jaw and Heavy Duty Rail Clamp (69099)



◀ **REF. NO. 72012**
Horizontal Bar 1" (2.5cm) Diameter



◀ **REF. NO. 72028**
Horizontal Flex Bar 1" (2.5cm) Diameter



Other Mounting Hardware

◀ **REF. NO. 72224**
Rail Extender used to mount products 2 inches (5.1 cm) further away from the patient.

◀ **REF. NO. 72225**
Rail Clamp Adaptor for Carbon Fiber Tables.

COUPLERS

▼ REF. NO. 72013-C

Quick-Lock Post Coupler
1" to 1"
(2.5cm to 2.5cm)



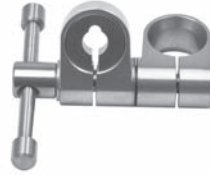
▼ REF. NO. 72013

Stainless Steel Post Coupler
1" to 1"
(2.5cm to 2.5cm)



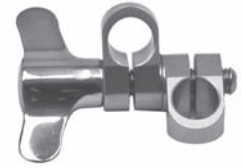
▼ REF. NO. 69613

Stainless Steel Post Coupler
1" to 1/2"
(2.5cm to 1.3cm)



▼ REF. NO. 69537

Stainless Steel Post Coupler
1/2" to 1/2"
(1.3cm to 1.3cm)



OTHER COMPONENTS

▶ REF. NO. 69187-S

Quick-Lock Snap Clamp

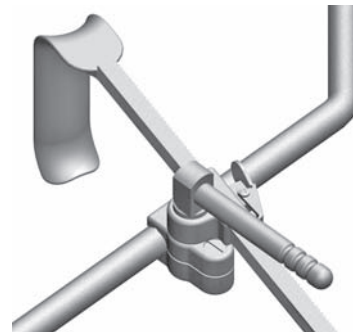
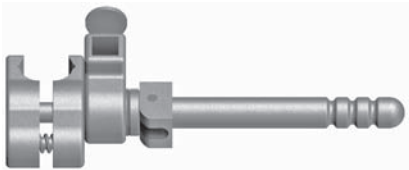
This Clamp will hold all retractor blades with handles that are 3/8" diameter.



▶ REF. NO. 69190-B

Bookler Quick-Lock Snap Clamp

This Clamp will hold all Bookler and Bookwalter-styled retractor blades.



The New Bookler Quick-Lock Snap Clamp showing a Bookler Blade being held on a Round Bar Frame.

▶ REF. NO. 69611

Hinged Cross Bar for Bilateral Systems

Ø 1/2", Short Segs = 7 1/2" (19.1cm)
Long Segment = 14 1/2" (36.8cm)



▶ REF. NO. 69614

Angled Arms for Bilateral Systems

Ø 1/2", Segment 1 = 8" (20.3cm)
Segment 2 = 16" (40.6cm)



▶ REF. NO. 69592

Bridge Kit for 1/2" Round Bar Systems

Contains 2 ea 1/2" x 1/2" Couplers and a Flexible Bridge that can be used to close either a Split Ring Frame or a Bilateral Frame.



▲ REF. NO. 72014

Vertical Extension Bar

12" x 1" (30.5cm x 2.5cm)

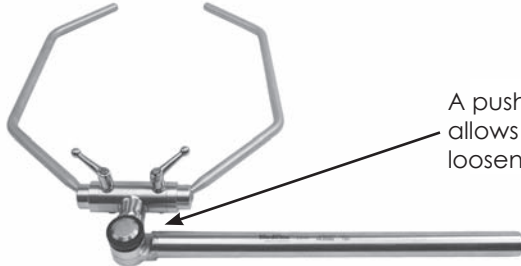


▲ SYSTEM NO. 72193 **Vertical Extension Bar Kit**



RETRACTOR FRAMES

ONE-PIECE FRAMES WITH INTEGRATED HORIZONTAL BAR



A push-button swivel neck allows adjustment without loosening the arms.

▲ **REF. NO. 69589**
Large, 14" x 15" (35.6cm x 38.1cm)
Held by Field Post and Coupler



▲ **REF. NO. 69589-S**
Small, 10" x 11" (25.4cm x 27.9cm)
Held by Field Post and Coupler



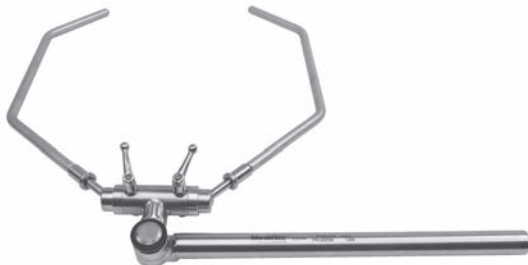
▲ **REF. NO. 69589-CL**
Large, 14" x 15" (35.6cm x 38.1cm)



▲ **REF. NO. 69589-CS**
Small, 10" x 11" (25.4cm x 27.9cm)

UNIVERSAL FRAMES WITH CLASPER BAR*

*Above frames can be held by a StrongArm PLUS Holder and Positioner or by Mediflex Horizontal Bars 72012 or 72028 (see page 7)



▲ **REF. NO. 69589-DAL**
Large, 15" x 16" (38.1cm x 40.6cm)
Held by Field Post and Coupler



▲ **REF. NO. 69589-DAS**
Small, 11" x 12" (27.9cm x 30.4cm)
Held by Field Post and Coupler

INTERCHANGEABLE ARM FRAMES



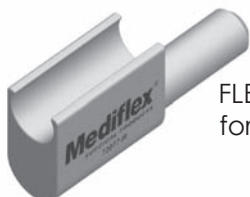
▲ **REF. NO. 69217-L**
Long Arms



▲ **REF. NO. 69217-S**
Short Arms

ARMS FOR INTERCHANGEABLE FRAMES

FLEX-LIGHT™ FIBEROPTIC LIGHT FOR TABLE MOUNTED RETRACTOR SYSTEMS



◀ **REF. NO. 72077-R**
FLEX-LIGHT Frame Clip
for Round Bar Systems



▼ **REF. NO. 72078**
FLEX-LIGHT Malleable
Fiber Optic Light Pipe

This illustration shows the Frame Clip inserted into a Quick Grip Snap Clamp. The Fiber Optic Light Pipe is held by the Frame Clip.



Note: All Blade dimensions show Width x Depth unless specified.
All Blades Stainless Steel unless specified.

RICHARDSON SWIVEL BLADES

- REF. NO. 75216 ¾" x 1" (1.9cm x 2.5cm)
- REF. NO. 75038 ¾" x 1½" (1.9cm x 3.8cm)
- ▼ REF. NO. 75217 ¾" x 2" (1.9cm x 5.1cm)

- REF. NO. 75215 1" x 1" (2.5cm x 2.5cm)
- ▼ REF. NO. 75214 1" x 1½" (2.5cm x 3.8cm)
- REF. NO. 75039 1" x 2" (2.5cm x 5.1cm)
- REF. NO. 75213 1½" x 1½" (3.8cm x 3.8cm)



KELLY SWIVEL BLADES

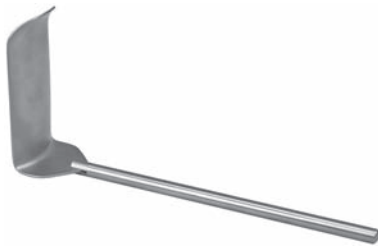
- ▼ REF. NO. 72107-R 1" x 3" (2.5cm x 7.6cm)
 - REF. NO. 75304 1" x 5⅝" (2.5cm x 14.3cm)
 - REF. NO. 69769-R 1½" x 2" (3.8cm x 5.1cm)
 - REF. NO. 75305 1⅝" x 2" (4.1cm x 5.1cm)
 - REF. NO. 75306 1⅝" x 2¾" (4.1cm x 7.0cm)
- Non-Swivel Blade
Non-Swivel Blade

- ▼ REF. NO. 69741 2½" x 10" (6.4cm x 25.4cm)



- REF. NO. 72075-R 2" x 2½" (5.1cm x 6.4cm)
- REF. NO. 69607 2" x 3" (5.1cm x 7.6cm)
- ▼ REF. NO. 69608 2" x 4" (5.1cm x 10.2cm)
- REF. NO. 75164 2" x 5" (5.1cm x 12.7cm)
- REF. NO. 69609 2" x 6" (5.1cm x 15.2cm)
- REF. NO. 72059-R 2" x 8" (5.1cm x 20.3cm)

- REF. NO. 75149 3" x 2½" (7.6cm x 6.4cm)
- REF. NO. 75255 3" x 3½" (7.6cm x 8.9cm)
- ▼ REF. NO. 75150 3" x 4" (7.6cm x 10.2cm)
- REF. NO. 75254 3" x 4½" (7.6cm x 11.4cm)
- REF. NO. 75139 3½" x 2½" (8.9cm x 6.4cm)
- REF. NO. 75035 3½" x 4" (8.9cm x 10.2cm)



DEAVER SWIVEL BLADES

- REF. NO. 75307 ¾" x 3¼" (1.9cm x 8.3cm)
- REF. NO. 72052-R 1" x 3½" (2.5cm x 8.9cm)
- REF. NO. 69771-R 1" x 5" (2.5cm x 12.7cm)
- ▼ REF. NO. 72172-R 1½" x 5" (3.8cm x 12.7cm)
- REF. NO. 75040 1½" x 6" (3.8cm x 15.2cm)
- REF. NO. 72175-R 2½" x 6" (6.4cm x 15.2cm)

- REF. NO. 72169-R 2¾" x 4½" (7.0cm x 11.4cm)
 - REF. NO. 72169-R-AL 2¾" x 4½" (7.0cm x 11.4cm)
 - ▼ REF. NO. 75041 2¾" x 8" (7.0cm x 20.3cm)
 - REF. NO. 72069-R 3" x 10½" (8.9cm x 26.7cm)
- Radiolucent Aluminum
Non-Swivel Blade



BALFOUR (MAYO) SWIVEL BLADES

- ▼ REF. NO. 69773-R 1" x 1" (2.5cm x 2.5cm)
- REF. NO. 69774-R 2" x 2" (5.1cm x 5.1cm)
- REF. NO. 75186 2" x 2½" (5.1cm x 6.4cm)



- REF. NO. 69772-R 2¾" x 2" (7cm x 5.1cm)
- REF. NO. 69772-R-AL 2¾" x 2" (7cm x 5.1cm)
Radiolucent Aluminum
- REF. NO. 75185 2¾" x 3" (7cm x 7.6cm)
- ▼ REF. NO. 69603 3" x 2⅝" (7.6cm x 6.7cm)



- REF. NO. 75188 3½" x 2" (8.9cm x 5.1cm)
- REF. NO. 75188-AL 3½" x 2" (8.9cm x 5.1cm)
Radiolucent Aluminum
- ▼ REF. NO. 72185-R 3½" x 2⅜" (8.9cm x 6cm)
- REF. NO. 72038-R 3½" x 2¾" (8.9cm x 7cm)



- REF. NO. 72186-R 3½" x 3⅛" (8.9cm x 7.9cm)
- ▼ REF. NO. 72187-R 3½" x 3⅞" (8.9cm x 9.8cm)
- REF. NO. 75037 3½" x 4" (8.9cm x 10.2cm)



"BIG BOY" SWIVEL BLADES

- REF. NO. 72062-R 2" x 6½" (5.1cm x 16.5cm)
- ▼ REF. NO. 72063-R 3" x 6½" (7.6cm x 16.5cm)



CARROLL SWIVEL BLADES

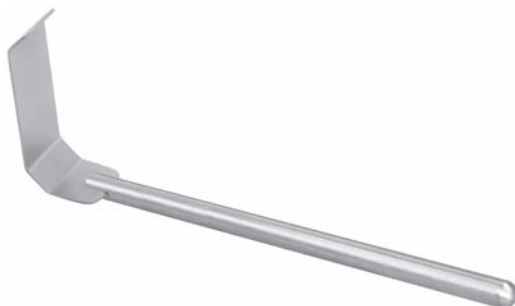
- REF. NO. 75253 1½" to 3" x 6"
(3.8cm to 7.6cm x 15.2cm)
- ▼ REF. NO. 72057-R 1½" to 3¼" x 7"
(3.8cm to 8.3cm x 17.8cm)



Note: the dimensions of the Carroll Blades have 3 values. The first is the width at the handle, the second is the width at the distal end and the third is the overall length of the blade.

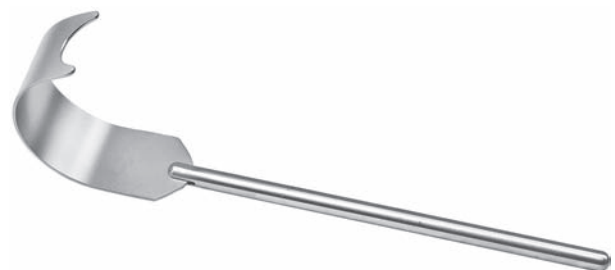
DOUBLE ANGLED SWIVEL BLADE

- ▼ REF. NO. 75166 1" x 3" (2.5cm x 7.6cm)



ANTERIOR SWIVEL BLADE

- ▼ REF. NO. 75260 1½" x 3" (3.8cm x 7.6cm)

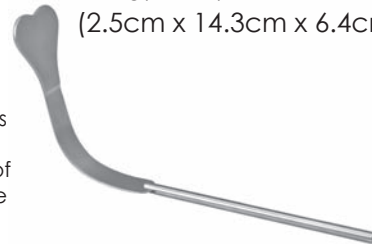


HARRINGTON SWIVEL BLADES

- ▼ REF. NO. 72109-R 1" x 2½" x 2"
(2.5cm x 6.4cm x 5.1cm)
- REF. NO. 75163 1" x 4¼" x 3"
(2.5cm x 10.8cm x 7.6cm)
- REF. NO. 75167 1" x 5" x 3½"
(2.5cm x 12.7cm x 8.9cm)



- REF. NO. 75165 1" x 5½" x 3½"
(2.5cm x 14cm x 8.9cm)
- ▼ REF. NO. 69604 1" x 5⅝" x 2½"
(2.5cm x 14.3cm x 6.4cm)



Note: the dimensions of Harrington Blades have 3 values. The first is the width at the handle, the second is the overall length of the blade and the third is the width at the distal end.

- REF. NO. 75169 1½" x 7" x 2½"
(3.8cm x 17.8cm x 6.4cm)
- REF. NO. 69740 1½" x 8" x 3½"
(3.8cm x 20.3cm x 8.9cm)
- REF. NO. 75170 1½" x 7" x 2¾"
(3.8cm x 17.8cm x 7.0cm)
- ▼ REF. NO. 72080-R 2½" x 5⅝" x 3½"
(6.4cm x 14.3cm x 8.9cm)



- ▼ REF. NO. 72081-R 2½" x 8" x 3½"
(6.4cm x 20.3cm x 8.9cm)
- REF. NO. 75317 2⅝" x 5⅝" x 3½"
(6.7cm x 14.3cm x 8.9cm)
- REF. NO. 75317-AL 2⅝" x 5⅝" x 3½"
Radiolucent Aluminum
(6.7cm x 14.3cm x 8.9cm)



STERNAL SWIVEL BLADES

- ▼ REF. NO. 69615-R 3" x 3" (7.6cm x 7.6cm)
- REF. NO. 75252 3" x 3" (7.6cm x 7.6cm)
Heavier Gauge



GROIN SWIVEL BLADE

- ▼ REF. NO. 75168 1½" x 3½" (3.8cm x 8.9cm)



FINGER FENCE SWIVEL BLADES (Malleable)

- REF. NO. 75045 3½" x 6" (8.9cm x 15.2cm)
- ▼ REF. NO. 72072-R 4" x 5" (10.2cm x 12.7cm)
- REF. NO. 75088 4" x 6" (10.2cm x 15.2cm)



ST. MARK'S SWIVEL BLADES

- REF. NO. 75019 2" x 7" (5.1cm x 17.8cm)
- ▼ REF. NO. 72043-R 2 ⅙" x 7" (5.9cm x 17.8cm)



PROTECTED EDGE MALLEABLE SWIVEL BLADES

- REF. NO. 75178 ½" x 1" (1.3cm x 2.5cm)
- REF. NO. 69762-R ½" x 2½" (1.3cm x 6.4cm)
- ▼ REF. NO. 72110-R ½" x 4" (1.3cm x 10.2cm)
- REF. NO. 69763-R ½" x 6" (1.3cm x 15.2cm)
- REF. NO. 69764-R ½" x 8" (1.3cm x 20.3cm)



- REF. NO. 75181 ¾" x 2" (1.9cm x 5.1cm)
- REF. NO. 75182 ¾" x 3" (1.9cm x 7.6cm)
- ▼ REF. NO. 75183 ¾" x 4" (1.9cm x 10.2cm)



- REF. NO. 75175 1" x 1" (2.5cm x 2.5cm)
- ▼ REF. NO. 69765-R 1" x 4" (2.5cm x 10.2cm)
- REF. NO. 75176 1" x 5" (2.5cm x 12.7cm)
- REF. NO. 75177 1" x 6" (2.5cm x 15.2cm)



- REF. NO. 75171 1½" x 3" (3.8cm x 7.6cm)
- REF. NO. 75172 1½" x 4" (3.8cm x 10.2cm)
- REF. NO. 75173 1½" x 5" (3.8cm x 12.7cm)
- ▼ REF. NO. 72019-R 1½" x 6" (3.8cm x 15.2cm)
- REF. NO. 75174 1½" x 7" (3.8cm x 17.8cm)



- REF. NO. 69766-R 2" x 4" (5.1cm x 10.2cm)
- REF. NO. 69606 2" x 6" (5.1cm x 15.2cm)
- REF. NO. 75179 2" x 6½" (5.1cm x 16.5cm)
- REF. NO. 75179-AL 2" x 6½" (5.1cm x 16.5cm)
Radiolucent Aluminum
- ▼ REF. NO. 72066-R 2" x 8" (5.1cm x 20.3cm)
- REF. NO. 72056-R 2" x 10" (5.1cm x 25.4cm)



- REF. NO. 75180 3" x 6½" (7.6cm x 16.5cm)
- REF. NO. 75180-AL 3" x 6½" (7.6cm x 16.5cm)
Radiolucent Aluminum
- ▼ REF. NO. 69605 3" x 8" (7.6cm x 20.3cm)
- REF. NO. 69743 3" x 10" (7.6cm x 25.4cm)
- REF. NO. 72053-R 3" x 12" (7.6cm x 30.5cm)



- REF. NO. 75184 4" x 6½" (10.2cm x 16.5cm)
- ▼ REF. NO. 72112-R 4" x 8" (10.2cm x 20.3cm)
- REF. NO. 69744 4" x 12" (10.2cm x 30.5cm)
- REF. NO. 72041-R 6" x 12" (15.2cm x 30.5cm)



MALLEABLE BLADE BENDING TOOL

- ▼ REF. NO. 72007 A unique tool that is placed on the Mediflex Field Post and can be used to bend or shape Malleable Blades.



MEYERDING BLADES (Non-swivel)

- REF. NO. 75204 ¾" x 2" (1.9cm x 5.1cm)
- ▼ REF. NO. 75190 1" x 2½" (2.5cm x 6.4cm)
- REF. NO. 75191 1" x 2½" (2.5cm x 6.4cm)
No Teeth
- REF. NO. 75193 1" x 3" (2.5cm x 7.6cm)
- REF. NO. 75192 1" x 3½" (2.5cm x 8.9cm)
- REF. NO. 75194 1" x 4½" (2.5cm x 11.4cm)
- REF. NO. 75195 1" x 5½" (2.5cm x 14.0cm)



Note: All Blade dimensions show Width x Depth unless specified.
All Blades Stainless Steel unless specified.

- REF. NO. 75196 2" x 2½" (5.1cm x 6.4cm)
- REF. NO. 75197 2" x 2½" (5.1cm x 6.4cm)
No Teeth
- REF. NO. 75199 2" x 3" (5.1cm x 7.6cm)
- ▼ REF. NO. 75198 2" x 3½" (5.1cm x 8.9cm)
- REF. NO. 75201 2" x 4" (5.1cm x 10.2cm)
- REF. NO. 75200 2" x 4½" (5.1cm x 11.4cm)
- REF. NO. 75203 2" x 5" (5.1cm x 12.7cm)
- REF. NO. 75202 2" x 5½" (5.1cm x 14.0cm)



WYLIE (RENAL VEIN) SWIVEL BLADES

- REF. NO. 75211 1" x 4" (2.5cm x 10.2cm)
- REF. NO. 75211-AL 1" x 4" (2.5cm x 10.2cm)
Radiolucent Aluminum
- REF. NO. 75146 1" x 4" (2.5cm x 10.2cm)
Malleable
- REF. NO. 75146-AL 1" x 4" (2.5cm x 10.2cm)
Malleable Radiolucent Aluminum
- REF. NO. 75209 1" x 4½" (2.5cm x 11.4cm)
- REF. NO. 75210 1" x 4½" (2.5cm x 11.4cm)
Malleable
- ▶ REF. NO. 75147 1" x 6" (2.5cm x 15.2cm)
- REF. NO. 75147-AL 1" x 6" (2.5cm x 15.2cm)
Radiolucent Aluminum
- REF. NO. 75148 1" x 6" (2.5cm x 15.2cm)
Malleable

- REF. NO. 72042-R 1" x 7" (2.5cm x 17.8cm)
- REF. NO. 75288 1" x 7" (2.5cm x 17.8cm)
Non-swivel Blade
- REF. NO. 75212 1" x 8" (2.5cm x 20.3cm)
- REF. NO. 75212-AL 1" x 8" (2.5cm x 20.3cm)
Radiolucent Aluminum



SLOTTED MALLEABLE SWIVEL BLADES

- REF. NO. 75218 1½" x 6" (3.8cm x 15.2cm)
- ▼ REF. NO. 69606-SL 2" x 6½" (5.1cm x 16.5cm)
- REF. NO. 69605-SL 3" x 6½" (7.6cm x 16.5cm)



YU-HOLTGREW SWIVEL BLADES

- REF. NO. 75112 2" x 4" (5.1cm x 10.2cm)
- ▼ REF. NO. 72160-R 2" x 6⅞" (5.1cm x 15.6cm)



VAGINAL SWIVEL BLADE (LATERAL)

- ▼ REF. NO. 72031-R 1" x 3" (2.5cm x 7.6cm)



WEINBERG VAGOTOMY SWIVEL BLADE

- ▼ REF. NO. 69742 3½" x 6½" (8.9cm x 16.5cm)



SPLANCHNIC (Fence) SWIVEL BLADES

- REF. NO. 75219 1½" x 3½" (3.8cm x 8.9cm)
- REF. NO. 72168-R 1½" x 4" (3.8cm x 10.2cm)
- ▼ REF. NO. 75251 1½" x 6" (3.8cm x 15.2cm)
- REF. NO. 75251-AL 1½" x 6" (3.8cm x 15.2cm)
Radiolucent Aluminum
- REF. NO. 75309 1⅝" x 2¾" (4.1cm x 6.0cm)
- REF. NO. 72176-R 1⅝" x 6" (4.2cm x 15.2cm)



- ▼ REF. NO. 75220 2" x 4½" (5.1cm x 11.4cm)
- REF. NO. 75220-AL 2" x 4½" (5.1cm x 11.4cm)
Radiolucent Aluminum
- REF. NO. 75087 2" x 5¼" (5.1cm x 13.3cm)
- REF. NO. 75250 2" x 6" (5.1cm x 15.2cm)
- REF. NO. 75250-AL 2" x 6" (5.1cm x 15.2cm)
Radiolucent Aluminum



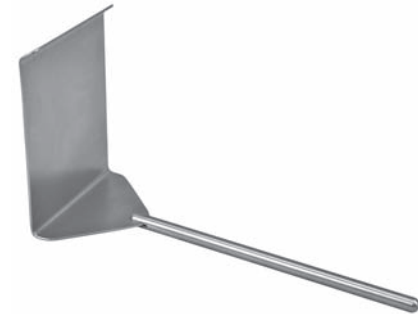
- ▼ REF. NO. 72177-R 2¼" x 4" (5.7cm x 10.2cm)
- REF. NO. 72178-R 2¼" x 5½" (5.7cm x 14.0cm)
- REF. NO. 72179-R 2¼" x 7¾" (5.7cm x 19.7cm)



- ▼ REF. NO. 72180-R 2⅜" x 8⅜" (6.0cm x 21.3cm)
- REF. NO. 72180-R-AL 2⅜" x 8⅜" (6.0cm x 21.3cm)
Radiolucent Aluminum

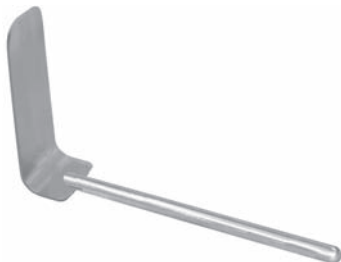


- REF. NO. 72181-R 3" x 5" (7.6cm x 12.7cm)
- REF. NO. 72182-R 3" x 6¼" (7.6cm x 15.9cm)
- ▶ REF. NO. 72071-R 4" x 5" (10.2cm x 12.7cm)
- REF. NO. 72183-R 4" x 6" (10.2cm x 15.2cm)
- REF. NO. 72183-R-AL 4" x 6" (10.2cm x 15.2cm)
Radiolucent Aluminum
- REF. NO. 69745 4" x 7" (10.2cm x 17.8cm)
- REF. NO. 72184-R 4" x 8" (10.2cm x 20.3cm)
No Lip



POSTERIOR SWIVEL BLADES

- ▼ REF. NO. 75205 1¾" x 3" (4.4cm x 7.6cm)
- REF. NO. 75206 1¾" x 4" (4.4cm x 10.2cm)



SWIVEL RAKES

- REF. NO. 75308 ⅜" x ¾" (1.7cm x 1.9cm)
3-Prong, Sharp
- ▼ REF. NO. 75207 ⅞" x ½" (2.2cm x 1.3cm)
- REF. NO. 75208 ⅞" x 1" (2.2cm x 2.5cm)



CUSTOM BLADES

Mediflex can provide virtually any retractor pattern for use with the Universal Round Bar System as well as competitive Round Bar Systems. Most can be available in 4 to 5 weeks. Please contact your Mediflex Distributor for additional information.

RADIOLUCENT ALUMINUM BLADES ARE ALSO AVAILABLE AS CUSTOM BLADES

CONTAINER SYSTEMS

REF. NO. 72151 ▶
Mediflex Table Mounted Retractor Sterilization Two-Container System



Includes:

1 ea 72152
1 ea 72153

Used for:

Complete Universal Round Bar System

REF. NO. 72152 ▶
Large Container for Mediflex Sterilization Container System



1 ea 72152-A
1 ea 72152-B
1 ea 72152-C

Mounting Hardware (in lower basket) and Frame (in upper basket)

REF. NO. 72153 ▶
Small Container for Mediflex Sterilization Container System



1 ea 72153-A
1 ea 72153-B

Blades and Snap Clamps

CONTAINER COMPONENTS

Dimensions (L x W x D)

REF. NO. 72152-A ▶
Large Bookler Container



23³/₈" x 15³/₈" x 7" (59.3cm x 39.7cm x 17.8cm)

REF. NO. 72152-B ▶
Deep Inner Basket for 72152-A



21" x 13" x 4" (53.3cm x 33.7cm x 10.1cm)

REF. NO. 72152-C ▶
Shallow Inner Basket for 72152-A



18¹/₂" x 13" x 2" (47cm x 33cm x 5.1cm)

REF. NO. 72153-A ▶
Small Bookler Container



22²/₈" x 11" x 5¹/₈" (58cm x 28cm x 13.5cm)

REF. NO. 72153-B ▶
Inner Basket for 72153-A



21" x 10" x 2³/₄" (53.3cm x 25.5cm x 7cm)

CONTAINER CONSUMABLES

REF. NO. 72243 ▶
Filters, Pack of 100 ea



REF. NO. 72244 ▼
Security Seals, Pack of 100 ea



REF. NO. 72245 ▼
Labels, Pack of 100 ea



WRAPABLE STERILIZING TRAYS

Dimensions (L x W x D)

REF. NO. 69760 ▶
Multi-use Lidded Tray, Perforated, Aluminum



22³/₄" x 10³/₄" x 4³/₄" (57.7cm x 27.3cm x 11.9cm)

REF. NO. 69761 ▶
Multi-use Lidded Tray, Perforated, Aluminum



26³/₄" x 11" x 6" (67.9cm x 27.9cm x 15.2cm)

REF. NO. 69762 ▶
Multi-use Lidded Tray, Perforated, Aluminum



31" x 11" x 6" (78.7cm x 27.9cm x 15.2cm)

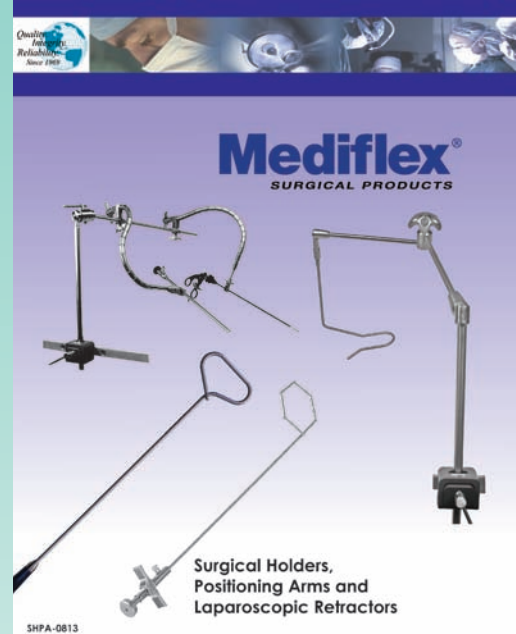
REF. NO.	Page	REF. NO.	Page	REF. NO.	Page	REF. NO.	Page	REF. NO.	Page
69187-S	8	69760	16	72107-R	10	75087	15	75198	14
69190-B	8	69761	16	72109-R	12	75088	12	75199	14
69217-L	9	69762	16	72110-R	13	75112	14	75200	14
69217-L	9	69762-R	13	72112-R	13	75139	10	75201	14
69537	8	69763-R	13	72151	16	75146	14	75202	14
69589	9	69764-R	13	72152	16	75146-AL	14	75203	14
69589-CL	9	69765-R	13	72152-A	16	75147	14	75204	14
69589-CS	9	69766-R	13	72152-B	16	75147-AL	14	75205	15
69589-DAL	9	69769-R	10	72152-C	16	75148	14	75206	15
69589-DAS	9	69771-R	10	72153	16	75149	14	75207	15
69589-S	9	69772-R	11	72153-A	16	75150	10	75208	15
69592	8	69772-R-AL	11	72153-B	16	75163	12	75209	15
69600	2	69773-R	11	72160-R	14	75164	10	75210	14
69600-DALS	3	69774-R	11	72168-R	15	75165	12	75211	14
69600-SA	3	72007	13	72169-R	10	75166	11	75211-AL	14
69601	4	72009	7	72169-R-AL	10	75167	12	75212	14
69601-SA	4	72009-EL	7	72172-R	10	75168	12	75212-AL	14
69602-S	4	72010	7	72175-R	10	75169	12	75213	10
69603	11	72011	7	72176-R	14	75170	12	75214	10
69604	12	72011-EL	7	72177-R	15	75171	13	75215	10
69605	13	72012	7	72178-R	15	75172	13	75216	10
69605-SA	4	72013	8	72179-R	15	75173	13	75217	10
69605-SL	14	72013-C	8	72180-R	15	75174	13	75218	14
69606	13	72014	8	72180-R-AL	15	75175	13	75219	15
69606-SL	14	72019-R	13	72181-R	15	75176	13	75220	15
69607	10	72028	7	72182-R	15	75177	13	75220-AL	
69608	10	72031-R	14	72183-R	15	75178	13	75250	15
69609	10	72038-R	11	72183-R-AL	15	75179	13	75250-AL	15
69610	2	72041-R	13	72184-R	15	75179-AL	13	75251	15
69610-SA	3	72042-R	14	72185-R	11	75180	13	75251-AL	15
69611	8	72043-R	12	72186-R	11	75180-AL	13	75252	12
69613	8	72052-R	10	72187-R	11	75181	13	75253	11
69614	8	72053-R	13	72193	8	75182	13	75254	10
69615-R	12	72056-R	13	72224	7	75183	13	75255	10
69616	6	72057-R	11	72225	7	75184	13	75260	11
69621	6	72059-R	10	72243	16	75185-R	11	75288	14
69625	2	72062-R	11	72244	16	75186	11	75304	10
69640	5	72063-R	11	72245	16	75188	11	75305	10
69640-D	5	72066-R	13	73055-BC	7	75188-AL	11	75306	10
69650	5	72069-R	10	75019	12	75190	14	75307	10
69650-F	5	72071-R	15	75035	10	75191	14	75308	15
69740	12	72072-R	12	75037	11	75192	14	75309	15
69741	10	72075-R	10	75038	10	75193	14	75317	12
69742	14	72077-R	9	75039	10	75194	14	75317-AL	12
69743	13	72078	9	75040	10	75195	15		
69744	13	72080-R	12	75041	10	75196	14		
69745	15	72081-R	12	75045	12	75197	14		

Limited Product Warranty: All products in this catalog are warranted to the original purchaser to be free from defects in the material and workmanship for a period of one (1) year from the date of purchase as indicated by the date stamp on the part. If a product proves to be defective, purchaser should obtain a Returned Goods Authorization from Mediflex and return it to the address below. Mediflex will repair or replace defective products at our option. Mediflex's ability under this limited warranty does not extend to any abuse or misuse of the product.

Also Available from Mediflex Surgical Products....



RET-BK0713 Bookler® and Mini-Bookler® Table Mounted Retractor Systems



SHPA-0913 Surgical Holders, Positioning Arms and Laparoscopic Retractors

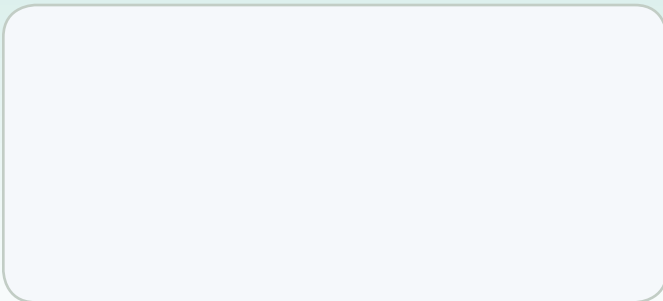
To Order Mediflex Products contact your local Distributor or contact Mediflex at:

toll free (USA): 800-764-0474

phone: +1-631-582-6424

fax: +1-631-582-4520

email: sales@mediflex.com



You can find your distributor at www.mediflex.com

Mediflex Order Dept.

250 Gibbs Road

Islandia, NY 11749-2697

USA

Mediflex®

SURGICAL PRODUCTS

© 2013 Mediflex Surgical Products, Islandia, NY